

**MEM BAR TAP Single-lever mixer - Platinum**

MEM

33 805 682



- 166mm projection
- pivotable spout 360°
- Optional swivel limiter available with swivel limiter set 12 820 970 90
- air-enriched flow
- max. flow 6.3 l/min at 3 bar flow pressure
- lead-free
- This product can help a building meet the requirements of Green Building Rating Systems, e.g. LEED®, BREEAM®, DGNB
- WRAS 240202021

|   |                               |               |
|---|-------------------------------|---------------|
|    | Platinum                      | 33 805 682-08 |
|    | Chrome                        | 33 805 682-00 |
|    | Brushed Platinum              | 33 805 682-06 |
|    | Durabrace (23kt Gold)         | 33 805 682-09 |
|    | Dark Chrome                   | 33 805 682-19 |
|    | Brushed Durabrace (23kt Gold) | 33 805 682-28 |
|    | Matte Black                   | 33 805 682-33 |
|    | Brushed Champagne (22kt Gold) | 33 805 682-46 |
|    | Champagne (22kt Gold)         | 33 805 682-47 |
|   | Brushed Chrome                | 33 805 682-93 |
|  | Brushed Dark Platinum         | 33 805 682-99 |

**Recommended miscellaneous**

**Swivel limitation set -** 12 820 970 90



**Recommended miscellaneous**

**Strainer waste with control handle - Platinum** 10 712 970-08



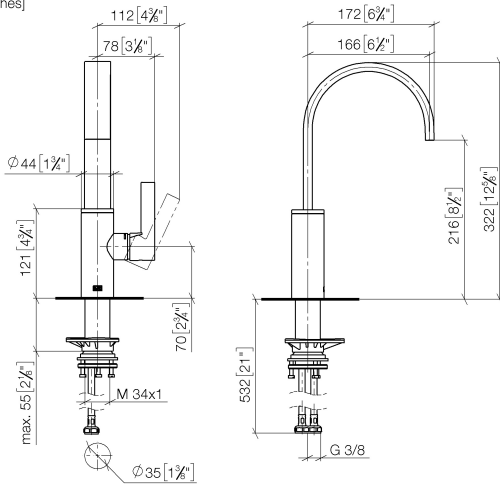
**Recommended miscellaneous**

**Dispenser without rosette - Platinum** 82 424 970-08



33 805 682

mm [inches]



**Flow rate chart**



**Certificates**

LGA\_38646.

WRAS\_240202021.

33 805 682



**Spare parts list**

| No.  | Item Number        | Name       | Quantity used | Delivery time |
|--|--------------------|------------|---------------|---------------|
| 1  | 90 28 22 282 00-08 | spout      | 1             | -             |
| Spare part can no longer be ordered, please order the replacement item |                    |            |               |               |
| 2  | 09 19 86 012-08    | cover      | 1             | 60            |
| 3  | 90 23 10 128 00 90 | nut        | 1             | 2             |
| 4  | 90 15 05 042 00 90 | cartridge  | 1             | 2             |
| 5  | 09 24 04 266 90    | nut        | 1             | 2             |
| 6  | 90 28 30 052 00-08 | cover      | 1             | 40            |
| 7  | 90 20 86 004 00-08 | handle     | 1             | 40            |
| 8  | 04 23 10 044 08 90 | fixing set | 1             | 2             |
| 9  | 04 30 04 101 00 90 | hose       | 2             | 2             |