

34 459 809



- shower with fixed riser projection 452mm
 - overhead shower: rain flow
 - rain shower Ø 220 mm
 - rain shower with anti-scale system
 - max. rainshower flow 7 l/min
 - Function from: 6 l/min
 - rotary diverter with volume control and shut-off function
 - slide-on rosettes Ø 70 mm
 - height of fittings up to rain shower (bottom edge) 964mm
 - height of fittings up to top edge of elbow 1267mm
 - gauge 150 mm - 13 mm
 - metal shower hose 1750mm with integrated anti-twist protection
 - 1/2" connection
 - slide bar
 - Pipe diameter 23.5 mm
 - This product can help a building meet the requirements of Green Building Rating Systems, e.g. LEED®, BREEAM®, DGNB
- This article does not include a hand shower!**

Intrinsic protection against back flow.

This article does not include a hand shower!

Intrinsic protection against back flow.

	Chrome	34 459 809-00
	Brushed Platinum	34 459 809-06
	Platinum	34 459 809-08
	Dark Chrome	34 459 809-19
	Brushed Durabronze (23kt Gold)	34 459 809-28
	Brushed Bronze	34 459 809-42
	Brushed Champagne (22kt Gold)	34 459 809-46
	Champagne (22kt Gold)	34 459 809-47
	Brushed Dark Platinum	34 459 809-99

Required miscellaneous

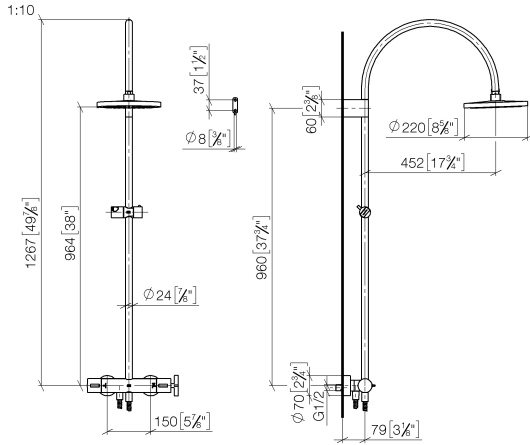
Hand shower - Chrome

28 016 979-00

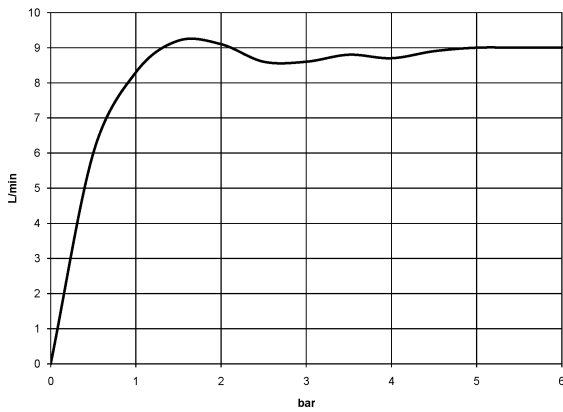


34 459 809

mm [inches]



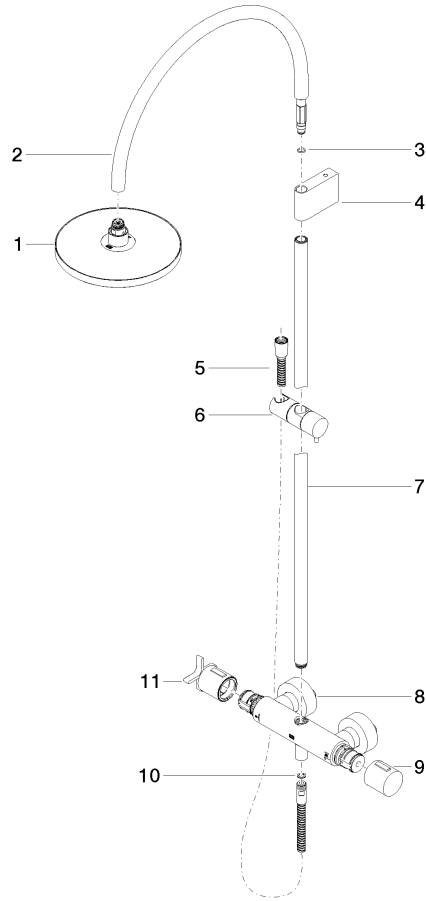
Flow rate chart



Certificates

WRAS_2204013. Belgaqua_24-006- LGA_38737.
27_8.

34 459 809



Spare parts list

No.	Item Number	Name	Quantity used	Delivery time
1	90 12 05 092 20-00	shower	1	10
2	04 28 22 346 00-00	pipe	1	10
3	09 14 10 008 90	seal	1	2
4	90 17 11 150 00-00	holder	1	10
5	28 322 970-00	Metal shower hose 1/2" x 3/8" x 1750 mm - Chrome	1	2
6	12 570 970-00	Slide unit - Chrome	1	10
7	90 28 22 349 00-00	pipe	1	10
8	04 17 01 250 00-00	connection	1	10
9	90 17 33 015 00-00	handle	1	10
10	90 14 20 026 00 90	seal	1	2
11	90 17 33 030 00-00	handle	1	10