

**VAIA Shower pipe with shower thermostat without hand shower FlowReduce -  
Brushed Bronze**

VAIA

34 459 809



- shower with fixed riser projection 452mm
- overhead shower: rain flow
- rain shower Ø 220 mm
- rain shower with anti-scale system
- max. rainshower flow 7 l/min
- Function from: 6 l/min
- rotary diverter with volume control and shut-off function
- slide-on rosettes Ø 70 mm
- height of fittings up to rain shower (bottom edge) 964mm
- height of fittings up to top edge of elbow 1267mm
- gauge 150 mm - 13 mm
- metal shower hose 1750mm with integrated anti-twist protection
- 1/2" connection
- slide bar
- Pipe diameter 23.5 mm
- This product can help a building meet the requirements of Green Building Rating Systems, e.g. LEED®, BREEAM®, DGNB
- WRAS 2204013

This article does not include a hand shower!

Intrinsic protection against back flow.

	Brushed Bronze	34 459 809-42
	Chrome	34 459 809-00
	Brushed Platinum	34 459 809-06
	Platinum	34 459 809-08
	Dark Chrome	34 459 809-19
	Brushed Durabronze (23kt Gold)	34 459 809-28
	Brushed Champagne (22kt Gold)	34 459 809-46
	Champagne (22kt Gold)	34 459 809-47
	Brushed Dark Platinum	34 459 809-99

**Required miscellaneous**

**Hand shower - Brushed Bronze** 28 016 979-42



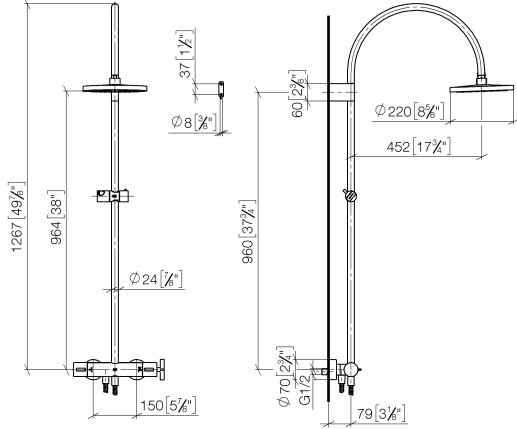
**VAIA Shower pipe with shower thermostat without hand shower FlowReduce -  
Brushed Bronze**

VAIA

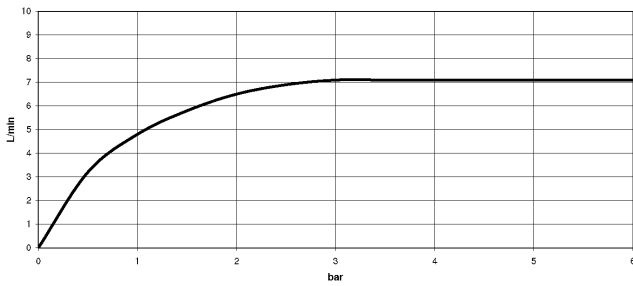
34 459 809

mm [inches]

1:10



**Flow rate chart**



**Codes & Standards**

DIN 4109

EN 1717

ISO 3822

Scottish Water  
Byelaws

UK Water Supply  
Regulations

Ü-Zeichen



VAIA Shower pipe with shower thermostat without hand shower FlowReduce -  
Brushed Bronze

---

VAIA

34 459 809

Certificates

---

WRAS\_2204

LGA\_38

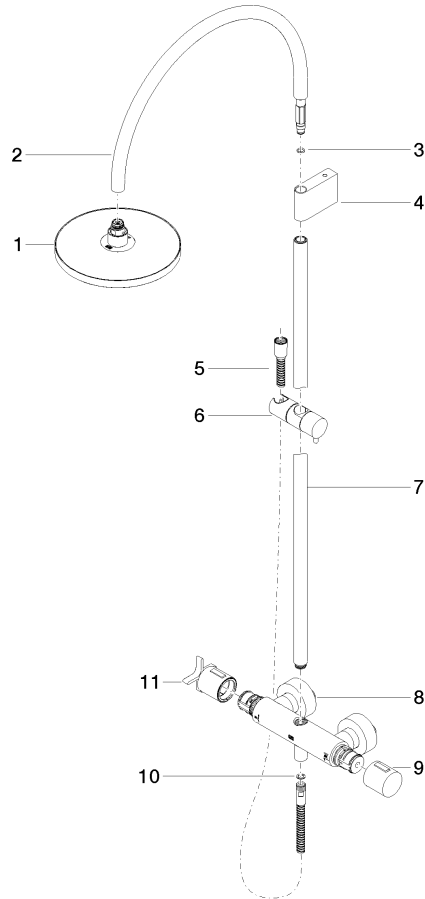
Belgaqua\_24-006-2

VAIA Shower pipe with shower thermostat without hand shower FlowReduce -  
Brushed Bronze

VAIA

34 459 809

Parts for other  
finishes can be found  
here: [Chrome](#)





VAIA Shower pipe with shower thermostat without hand shower FlowReduce -  
Brushed Bronze

---

VAIA

34 459 809

**Spare parts list**

No.	Item Number	Name	Quantity used	Delivery time
	90 12 05 092 20-42	shower	11	30