

# Showerpipe with shower thermostat without hand shower FlowReduce - Matte Black

IMO

34 459 979 Product version from 4/1/2024



Fits: IMO, LULU, TARA, LISSÉ, VAIA, META

- shower with fixed riser projection 453mm
- overhead shower: rain flow
- rain shower Ø 220 mm
- rain shower with anti-scale system
- max. rainshower flow 7 l/min
- rotary diverter with volume control and shut-off function
- slide-on rosettes Ø 70 mm
- height of fittings up to rain shower (bottom edge) 1009mm
- height of fittings up to top edge of elbow 1150mm
- gauge 150 mm - 13 mm
- metal shower hose 1750mm with integrated anti-twist protection
- 1/2" connection
- slide bar
- Pipe diameter 23.5 mm
- quick clearing
- This product can help a building meet the requirements of Green Building Rating Systems, e.g. LEED®, BREEAM®, DGNB
- WRAS

This article does not include a hand shower!

Intrinsic protection against back flow.


|   |                                |               |
|---|--------------------------------|---------------|
|    | Matte Black                    | 34 459 979-33 |
|    | Chrome                         | 34 459 979-00 |
|    | Brushed Platinum               | 34 459 979-06 |
|    | Platinum                       | 34 459 979-08 |
|    | Dark Chrome                    | 34 459 979-19 |
|    | Light Gold                     | 34 459 979-26 |
|    | Brushed Light Gold             | 34 459 979-27 |
|    | Brushed Durabronze (23kt Gold) | 34 459 979-28 |
|    | Brushed Bronze                 | 34 459 979-42 |
|   | Brushed Champagne (22kt Gold)  | 34 459 979-46 |
|  | Champagne (22kt Gold)          | 34 459 979-47 |
|  | Brushed Chrome                 | 34 459 979-93 |
|  | Brushed Dark Platinum          | 34 459 979-99 |

**Showerpipe with shower thermostat without hand shower FlowReduce - Matte Black**

IMO

34 459 979 Product version from 4/1/2024


**Required miscellaneous**

|   |   |                       |
|---|---|-----------------------|
|  | <b>Hand shower FlowReduce - Matte Black</b> | 28 012 979-33<br>0010 |
|---|---|-----------------------|


**Required miscellaneous**

|   |                                  |               |
|---|----------------------------------|---------------|
|  | <b>Hand shower - Matte Black</b> | 28 016 979-33 |
|---|----------------------------------|---------------|

**Required miscellaneous**

|   |   |                       |
|---|---|-----------------------|
|  | <b>Hand shower FlowReduce - Matte Black</b> | 28 016 979-33<br>0010 |
|---|---|-----------------------|

**Required miscellaneous**

|   |   |                       |
|---|---|-----------------------|
|  | <b>Hand shower FlowReduce - Matte Black</b> | 28 018 979-33<br>0010 |
|---|---|-----------------------|

**Required miscellaneous**

|   |   |               |
|---|---|---------------|
|  | <b>SERIES-VARIOUS Hand shower - Matte Black</b> | 28 029 979-33 |
|---|---|---------------|

**Required miscellaneous**

|   |  |                       |
|---|--|-----------------------|
|  | <b>SERIES-VARIOUS Hand shower FlowReduce - Matte Black</b> | 28 025 979-33<br>0010 |
|---|--|-----------------------|

**Required miscellaneous**

|   |                                  |               |
|---|----------------------------------|---------------|
|  | <b>Hand shower - Matte Black</b> | 28 017 979-33 |
|---|----------------------------------|---------------|

**Required miscellaneous**

|   |                                  |               |
|---|----------------------------------|---------------|
|  | <b>Hand shower - Matte Black</b> | 28 012 979-33 |
|---|----------------------------------|---------------|

**Required miscellaneous**

|   |                                  |               |
|---|----------------------------------|---------------|
|  | <b>Hand shower - Matte Black</b> | 28 018 979-33 |
|---|----------------------------------|---------------|

**Required miscellaneous**

|   |  |                       |
|---|--|-----------------------|
|  | <b>SERIES-VARIOUS Hand shower FlowReduce - Matte Black</b> | 28 029 979-33<br>0010 |
|---|--|-----------------------|

**Required miscellaneous**

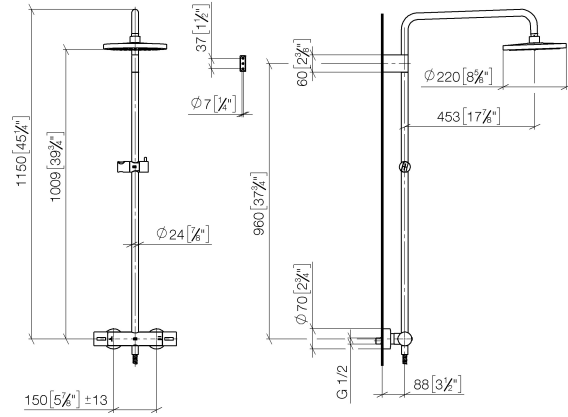
|   |  |                       |
|---|--|-----------------------|
|  | <b>SERIES-VARIOUS Hand shower FlowReduce - Matte Black</b> | 28 027 979-33<br>0010 |
|---|--|-----------------------|

**Showerpipe with shower thermostat without hand shower FlowReduce - Matte Black**

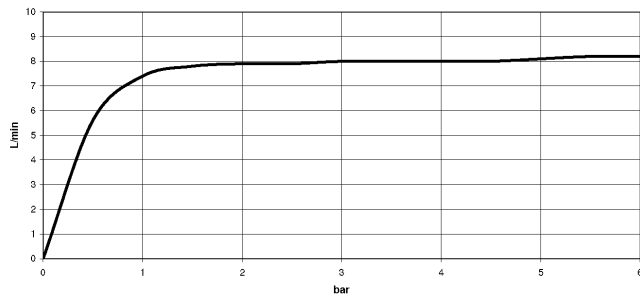
34 459 979 Product version from 4/1/2024

mm [inches]

1:10



**Flow rate chart**



**Codes & Standards**

DIN 4109

EN 1111

EN 1717

ISO 3822

Scottish Water  
Byelaws

UK Water Supply  
Regulations

Ü-Zeichen



# Showerpipe with shower thermostat without hand shower FlowReduce - Matte Black

IMO

---

34 459 979 Product version from 4/1/2024

## Certificates

---

DVGW\_DW-  
6509DN0

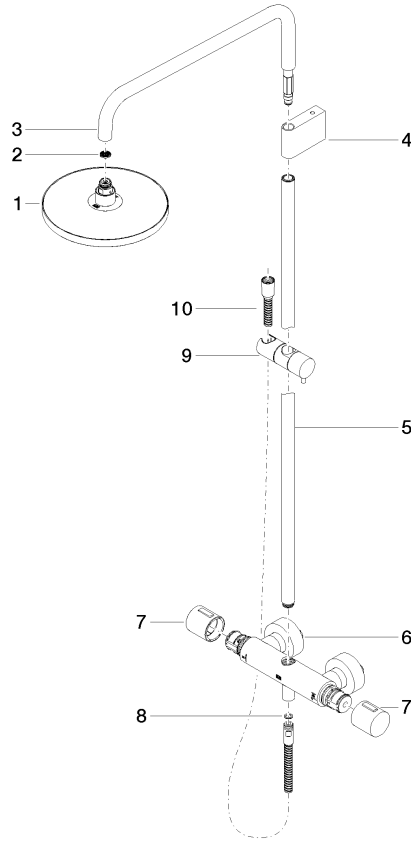
Belgaqua\_21-032-2 WRAS\_2204

LGA\_38

**Showerpipe with shower thermostat without hand shower FlowReduce - Matte Black**

34 459 979 Product version from 4/1/2024

Parts for other finishes can be found here: [Chrome](#)



**Spare parts list**

| No. | Item Number        | Name  | Quantity used | Delivery time |
|-----|--------------------|---|---------------|---------------|
| 1   | 90 12 05 092 20-33 | shower  | 1             | 30            |
| 2   | 09 23 01 039 90    | sieve   | 1             | 2             |
| 3   | 90 28 22 348 00-33 | pipe  | 1             | 30            |
| 4   | 90 17 11 150 00-33 | holder  | 1             | 30            |
| 5   | 90 28 22 349 00-33 | pipe  | 1             | 30            |
| 6   | 04 17 01 250 00-33 | connection  | 1             | 30            |
| 7   | 90 17 33 015 00-33 | handle  | 2             | 30            |
| 8   | 90 14 20 026 00 90 | seal  | 1             | 2             |
| 9   | 12 570 970-33      | Slide unit - Matte Black                              | 1             | 30            |
| 10  | 28 322 970-33      | Metal shower hose 1/2" x 3/8" x 1750 mm - Matte Black | 1             | 2             |