

34 460 809



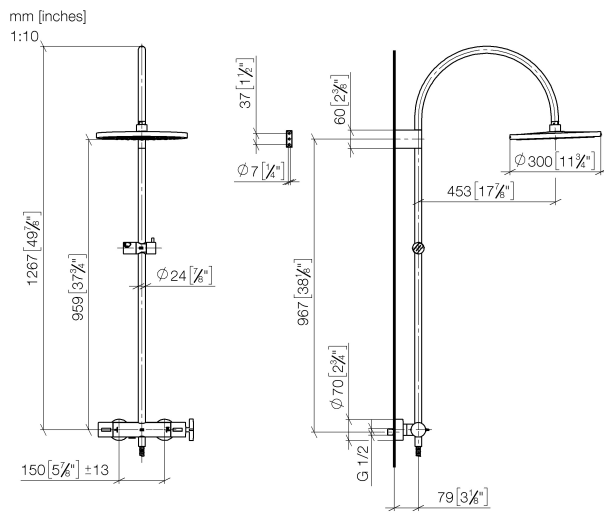
- shower with fixed riser projection 452mm
- overhead shower: rain flow
- rain shower Ø 300 mm
- rain shower with anti-scale system
- max. rainshower flow 14 l/min
- Function from: 10 l/min
- rotary diverter with volume control and shut-off function
- slide-on rosettes Ø 70 mm
- height of fittings up to rain shower (bottom edge) 964mm
- height of fittings up to top edge of elbow 1267mm
- gauge 150 mm - 13 mm
- metal shower hose 1750mm with integrated anti-twist protection
- 1/2" connection
- slide bar
- Pipe diameter 23.5 mm

This article does not include a hand shower!

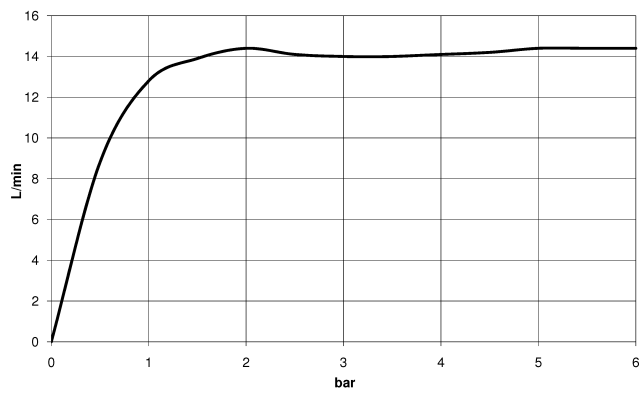
Intrinsic protection against back flow.

|   |                                     |               |
|---|-------------------------------------|---------------|
|  | Platinum                            | 34 460 809-08 |
|  | Chrome                              | 34 460 809-00 |
|  | Brushed Platinum                    | 34 460 809-06 |
|  | Dark Chrome                         | 34 460 809-19 |
|  | Brushed Durabronze<br>(23kt Gold)   | 34 460 809-28 |
|  | Brushed Bronze                      | 34 460 809-42 |
|  | Brushed<br>Champagne (22kt<br>Gold) | 34 460 809-46 |
|  | Champagne (22kt<br>Gold)            | 34 460 809-47 |
|  | Brushed Dark<br>Platinum            | 34 460 809-99 |

34 460 809



Flow rate chart

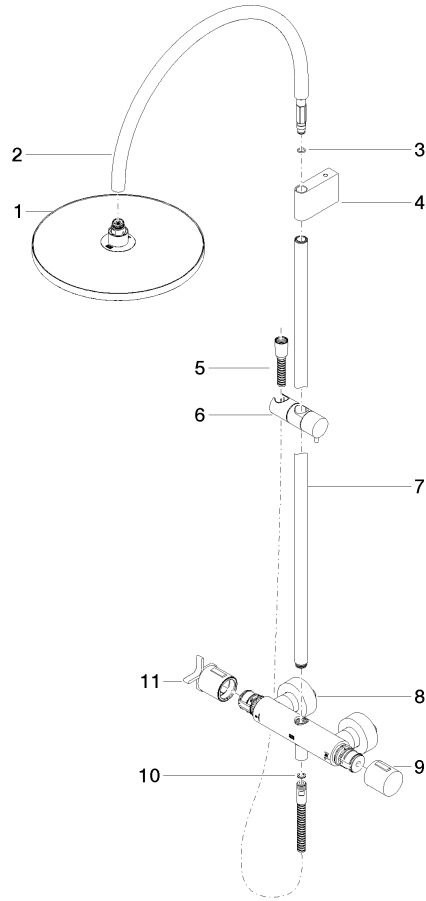


Certificates

Belgaqua\_24-006- LGA\_38736.  
27\_8.

34 460 809

Parts for other finishes can be found here: [Chrome](#)



### Spare parts list

| No. | Item Number        | Name   | Quantity used | Delivery time |
|-----|--------------------|--|---------------|---------------|
| 1   | 04 12 05 091 00-08 | shower   | 1             | 40            |
| 2   | 04 28 22 346 00-08 | pipe   | 1             | 40            |
| 3   | 09 14 10 008 90    | seal   | 1             | 2             |
| 4   | 90 17 11 150 00-08 | holder   | 1             | 40            |
| 5   | 28 322 970-08      | Metal shower hose 1/2" x 3/8" x 1750 mm - Platinum | 1             | 40            |
| 6   | 12 570 970-08      | Slide unit - Platinum                              | 1             | 40            |
| 7   | 90 28 22 349 00-08 | pipe   | 1             | 40            |
| 8   | 04 17 01 250 00-08 | connection   | 1             | 40            |
| 9   | 90 17 33 015 00-08 | handle   | 1             | 40            |
| 10  | 90 14 20 026 00 90 | seal   | 1             | 2             |
| 11  | 90 17 33 030 00-08 | handle   | 1             | 40            |