



## Concealed wall installation box -

---

35 206 970 90



- female thread 1/2" connection
- dust cover
- anti-water packing
- WRAS 2106011

---

### Recommended miscellaneous

**Leak protection 1/2" -**

12 010 970 90



---

### Recommended miscellaneous

**xGRID Attachment set for  
integrating in the dry wall  
construction -**

12 340 970 90



---

### Required miscellaneous

**xGRID Installation track 555 mm -** 12 360 970 90



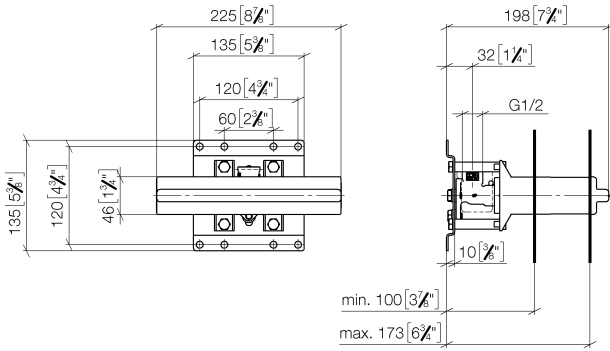


## Concealed wall installation box -

---

35 206 970 90

mm [inches]



### Codes & Standards

---

DIN 4109

ISO 3822

Scottish Water  
Byelaws

UK Water Supply  
Regulations

Ü-Zeichen

### Certificates

---

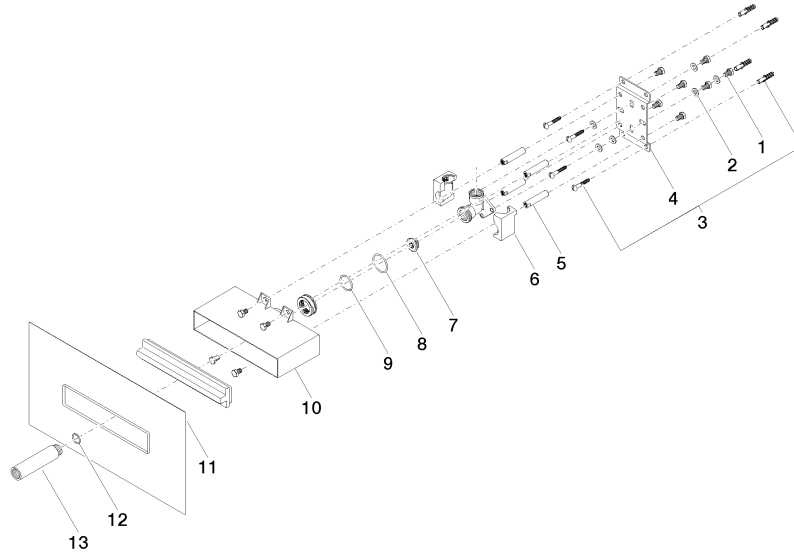
LGA\_19

WRAS\_2106

Concealed wall installation box -

35 206 970 90

Product version from 3/7/2023





## Concealed wall installation box -

---

35 206 970 90

### Spare parts list

#### Product version from 3/7/2023

No.	Item Number	Name	Quantity used	Delivery time
	09 30 30 152 90	screw	28	2