

xTOOL Concealed thermostat module with 2 valves -

35 521 970 90 Product version from 1/1/2022



- red brass, lead-free
- 2x back flow preventer
- 2x female thread 3/4" connections
- 1x female thread 3/4" outlet for additional valves
- 2x female thread 3/4" outlet, right/left alternatively
- 3x dust cover
- 3x anti-water packing
- soundproofing
- gauge 120 mm
- suitable for xGRID (when using installation track + 12 mm recess depth)
- WRAS

Recommended miscellaneous

Extension 28 mm -

12 177 970 90



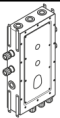
Recommended miscellaneous

Extension 46 mm -

12 178 970 90



Recommended miscellaneous



Drybox Thermostat module with 2 valves - 39 521 970 90
 • Overflow is part of the scope of delivery.

Recommended miscellaneous



xGRID Attachment set for integrating in the dry wall construction - 12 340 970 90

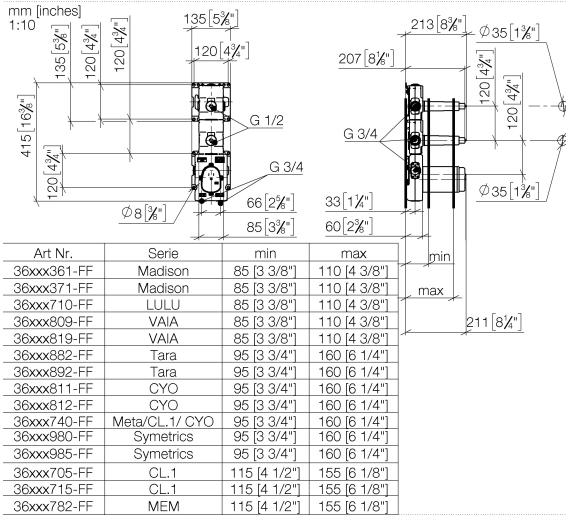
Required miscellaneous

xGRID Installation track 555 mm - 12 360 970 90



xTOOL Concealed thermostat module with 2 valves -

35 521 970 90 Product version from 1/1/2022



Codes & Standards

EN 1111

EN 1717

Scottish Water
Byelaws

UK Water Supply
Regulations

XP P 41-280

Certificates

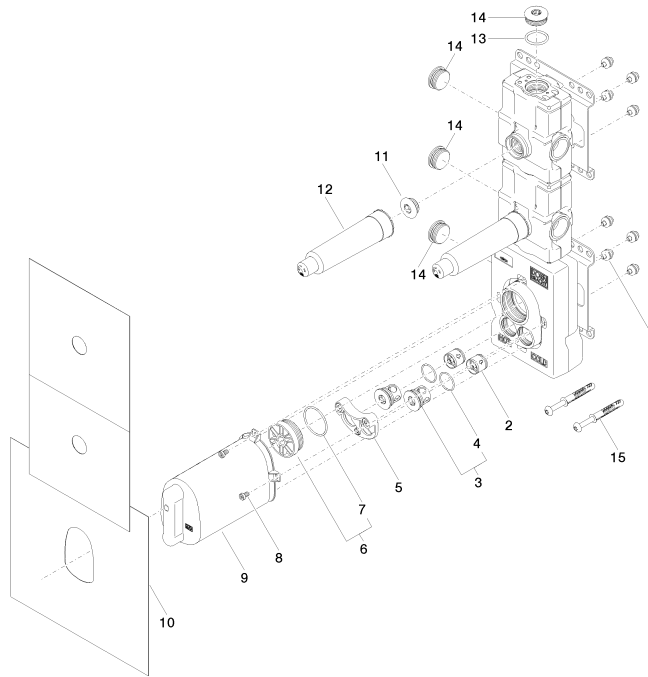
Belgagua_21-031-2 WRAS_2011

ACS_21 ACC LY

DVGW_DW-
6512DN0

xTOOL Concealed thermostat module with 2 valves -

35 521 970 90 Product version from 1/1/2022



Spare parts list

| No. | Item Number | Name | Quantity used | Delivery time |
|-----|--------------------|---------------------|---------------|---------------|
| 1 | 90 23 01 091 00 90 | set | 8 | 2 |
| 2 | 90 23 01 045 00 90 | back-flow preventer | 2 | 2 |
| 3 | 04 21 34 077 00 90 | nipple | 2 | 2 |
| 4 | 09 14 10 098 90 | seal | 2 | 2 |
| 5 | 90 12 12 218 00 90 | base | 1 | 2 |
| 6 | 04 31 20 100 00 90 | plug | 1 | 2 |
| 7 | 09 14 10 111 90 | seal | 1 | 2 |
| 8 | 09 30 30 112 90 | screw | 4 | 2 |
| 9 | 04 21 02 174 01 90 | cap | 1 | 2 |
| 10 | 04 14 03 073 06 90 | gasket kit | 1 | 2 |
| 11 | 04 31 20 006 00 90 | plug | 2 | 2 |
| 12 | 09 21 02 173 90 | cap | 2 | 2 |
| 13 | 09 14 10 009 90 | seal | 1 | 2 |
| 14 | 09 31 20 003 90 | plug | 4 | 2 |
| 15 | 04 30 31 054 00 90 | fixing set | 2 | 2 |