

**Concealed single-lever mixer with integrated shower connection with shower set without hand shower - Brushed Platinum**

IMO

36 013 970



Fits: IMO, MEM, CL.1

- cover plate 80 x 80 mm
- metal shower hose 1750mm with integrated anti-twist protection
- slide bar
- Pipe diameter 18 mm
- WRAS 2011027

**This article does not include a hand shower!**

**Intrinsic protection against back flow.**

**Article cannot be extended, please check the depth of the installation location!**

This article does not include a hand shower!

Intrinsic protection against back flow.

Article cannot be extended, please check the depth of the installation location!

|  |                               |               |
|--|-------------------------------|---------------|
|  | Brushed Platinum              | 36 013 970-06 |
|  | Chrome                        | 36 013 970-00 |
|  | Platinum                      | 36 013 970-08 |
|  | Dark Chrome                   | 36 013 970-19 |
|  | Brushed Durabrass (23kt Gold) | 36 013 970-28 |
|  | Matte Black                   | 36 013 970-33 |
|  | Brushed Champagne (22kt Gold) | 36 013 970-46 |
|  | Champagne (22kt Gold)         | 36 013 970-47 |
|  | Brushed Chrome                | 36 013 970-93 |
|  | Brushed Dark Platinum         | 36 013 970-99 |

**Required miscellaneous**

|  |   |               |
|--|---|---------------|
|  | <b>Concealed wall mounting -</b><br>•max. recess depth 103 mm<br>•min. recess depth 78 mm | 35 003 970 90 |
|--|---|---------------|

**Required miscellaneous**

|  |  |                       |
|--|--|-----------------------|
|  | <b>Hand shower FlowReduce -<br/>Brushed Platinum</b> | 28 016 979-06<br>0010 |
|--|--|-----------------------|

**Required miscellaneous**

|  |  |                       |
|--|--|-----------------------|
|  | <b>Hand shower FlowReduce -<br/>Brushed Platinum</b> | 28 012 979-06<br>0010 |
|--|--|-----------------------|

**Required miscellaneous**

|  |                                       |               |
|--|---------------------------------------|---------------|
|  | <b>Hand shower - Brushed Platinum</b> | 28 018 979-06 |
|--|---------------------------------------|---------------|

**Required miscellaneous**

|  |                                       |               |
|--|---------------------------------------|---------------|
|  | <b>Hand shower - Brushed Platinum</b> | 28 012 979-06 |
|--|---------------------------------------|---------------|

**Required miscellaneous**

|  |                                       |               |
|--|---------------------------------------|---------------|
|  | <b>Hand shower - Brushed Platinum</b> | 28 017 979-06 |
|--|---------------------------------------|---------------|

**Required miscellaneous**

|  |                                       |               |
|--|---------------------------------------|---------------|
|  | <b>Hand shower - Brushed Platinum</b> | 28 016 979-06 |
|--|---------------------------------------|---------------|

**Required miscellaneous**

|  |  |                       |
|--|--|-----------------------|
|  | <b>Hand shower FlowReduce -<br/>Brushed Platinum</b> | 28 018 979-06<br>0010 |
|--|--|-----------------------|

Concealed single-lever mixer with integrated shower connection with shower set without hand shower - Brushed Platinum

IMO

36 013 970

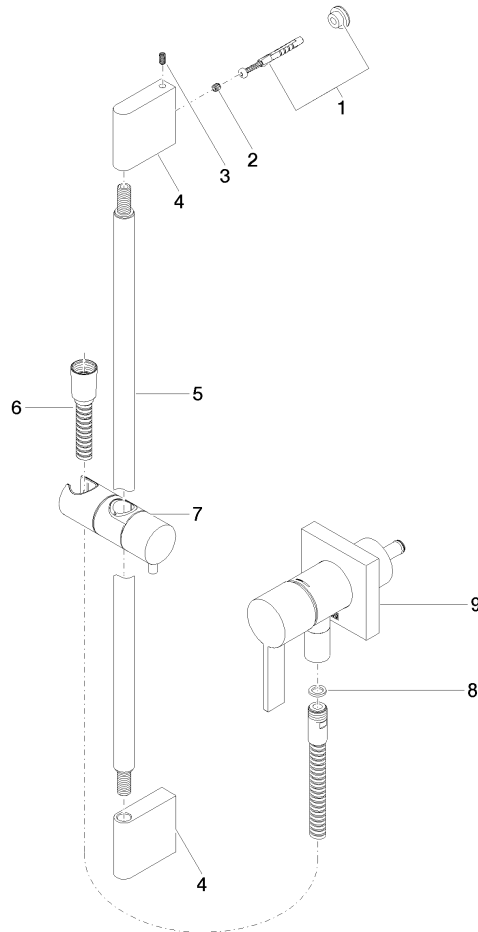
mm [inches]



Certificates

Belgaqua\_21-025- WRAS\_2011027. LGA\_29569.  
27\_1.

36 013 970



### Spare parts list

| No. | Item Number        | Name   | Quantity used | Delivery time |
|-----|--------------------|--|---------------|---------------|
| 1   | 05 17 20 726 02 90 | fixing set   | 1             | 2             |
| 2   | 09 31 11 049 90    | pin  | 2             | 2             |
| 3   | 04 31 11 113 00 90 | pin  | 2             | 2             |
| 4   | 08 17 97 054-06    | holder   | 2             | 10            |
| 5   | 90 28 22 597 00-06 | holder   | 1             | 10            |
| 6   | 28 322 970-06      | Metal shower hose 1/2" x 3/8" x 1750 mm - Brushed Platinum   | 1             | 2             |
| 7   | 12 580 970-06      | Slide unit - Brushed Platinum  | 1             | 10            |
| 8   | 90 14 20 026 00 90 | seal   | 1             | 2             |
| 9   | 36 045 970-06      | Concealed single-lever mixer with cover plate with integrated shower connection - Brushed Platinum | 1             | 10            |