

**Concealed single-lever mixer with cover plate with integrated shower connection - Champagne (22kt Gold)**

36 046 970 Product version from 4/1/2024



- cover plate 80 x 80 mm
- Intrinsic protection against back flow.**

Intrinsic protection against back flow.

	Champagne (22kt Gold)	36 046 970-47
	Chrome	36 046 970-00
	Brushed Platinum	36 046 970-06
	Platinum	36 046 970-08
	Dark Chrome	36 046 970-19
	Brushed Light Gold	36 046 970-27
	Brushed Durabronze (23kt Gold)	36 046 970-28
	Matte Black	36 046 970-33
	Brushed Champagne (22kt Gold)	36 046 970-46
	Brushed Chrome	36 046 970-93
	Brushed Dark Platinum	36 046 970-99

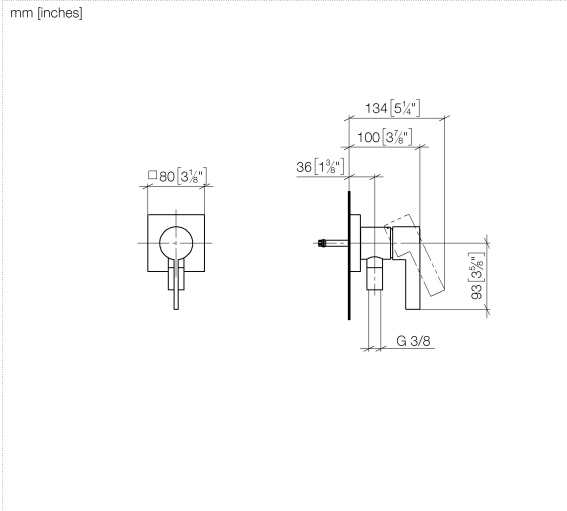
**Required miscellaneous**

- Concealed wall mounting -** 35 050 970 90
- min. recess depth mm
- max. recess depth mm

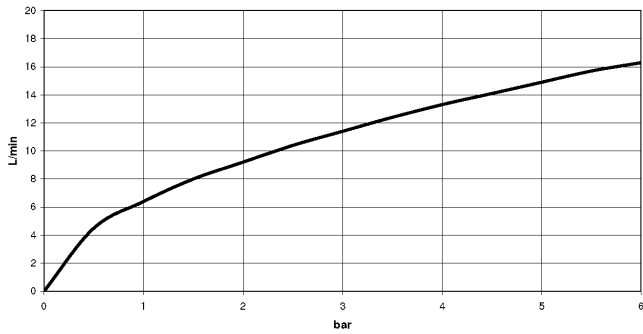


**Concealed single-lever mixer with cover plate with integrated shower connection - Champagne (22kt Gold)**

36 046 970 Product version from 4/1/2024



**Flow rate chart**



**Codes & Standards**

DIN 4109

ISO 3822

Ü-Zeichen



## Concealed single-lever mixer with cover plate with integrated shower connection - Champagne (22kt Gold)

---

36 046 970 Product version from 4/1/2024

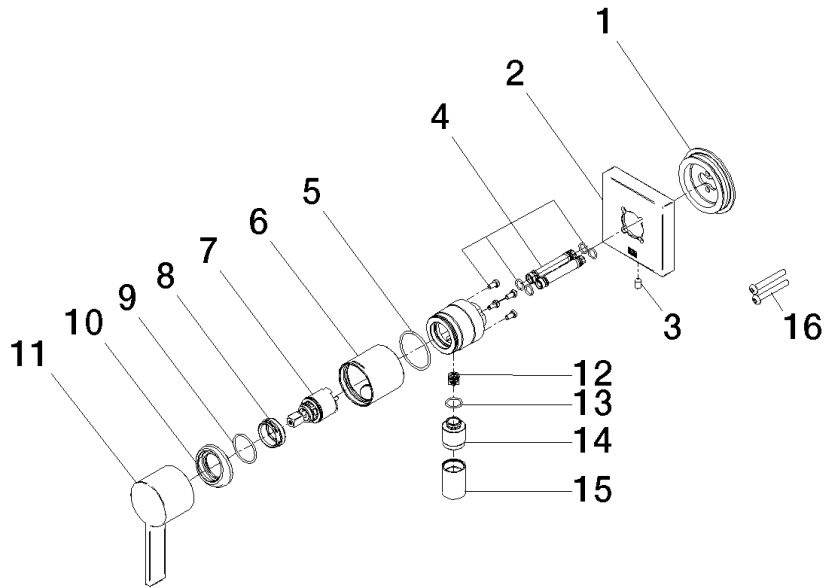
Certificates

---

LGA\_38

**Concealed single-lever mixer with cover plate with integrated shower connection - Champagne (22kt Gold)**

36 046 970 Product version from 4/1/2024



**Spare parts list**

No.	Item Number	Name	Quantity used	Delivery time
1	90 30 11 232 00 90	disc	1	2
2	90 27 97 046 00-47	rosette	1	30
3	09 31 11 144 90	pin	1	2
4	90 24 01 046 00 90	connection	2	2
5	09 14 10 111 90	seal	1	2
6	90 18 40 320 00-47	sleeve	1	-
Spare part can no longer be ordered, please order the replacement item				
7	90 15 05 044 00 90	cartridge	1	2
8	09 24 04 266 90	nut	1	2
9	09 14 10 120 90	seal	1	2
10	09 28 30 041-47	cover	1	60
11	90 20 66 006 00-47	handle	1	30
12	09 23 01 131 90	back-flow preventer	1	2
13	90 14 10 021 00 90	seal	1	2
14	09 24 03 281-47	nipple	1	60
15	90 21 02 069 00-47	cover	1	30
16	90 30 30 229 00 90	screw	2	2