

36 060 845

• cover plate 78 x 78 mm



	Brushed Light Gold	36 060 845-27
	Chrome	36 060 845-00
	Brushed Platinum	36 060 845-06
	Dark Chrome	36 060 845-19
	Matte Black	36 060 845-33
	Brushed Chrome	36 060 845-93
	Brushed Dark Platinum	36 060 845-99

Required miscellaneous



**Concealed wall-mounted single-lever mixer -** 35 860 970 90

- min. recess depth 80 mm
- max. recess depth 95 mm



## LISSÉ Concealed single-lever mixer with cover plate - Brushed Light Gold

---

LISSÉ

36 060 845

### Codes & Standards

---

DIN 4109

ISO 3822

Ü-Zeichen

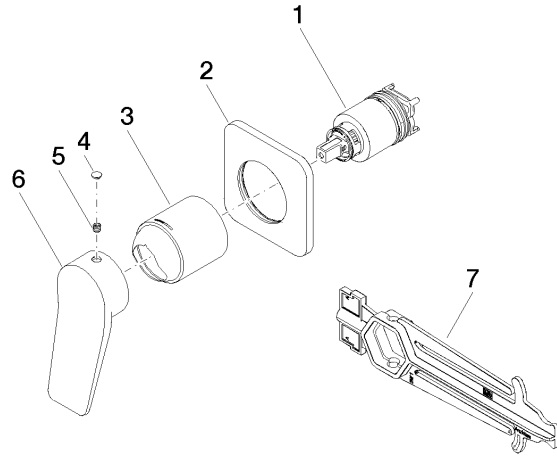
### Certificates

---

LGA\_29

36 060 845

Product version from 4/1/2024





LISSÉ Concealed single-lever mixer with cover plate - Brushed Light Gold

LISSÉ

36 060 845

**Spare parts list**

**Product version from 4/1/2024**

No.	Item Number	Name	Quantity used	Delivery time
	90 15 05 046 02 90	cartridge	7	2