





LULU Concealed single-lever mixer with diverter - Brushed Platinum

36 122 710



- automatic diverter
- cover plate 150 x 90 mm

| | | |
|-----------------------------------------------------------------------------------|------------------|---------------|
|  | Brushed Platinum | 36 122 710-06 |
|  | Chrome | 36 122 710-00 |

Required miscellaneous



Concealed single-lever mixer - 35 020 970 90
• max. recess depth mm
• min. recess depth mm

Recommended miscellaneous



**xGRID Attachment set for
integrating in the dry wall
construction -** 12 340 970 90

Required miscellaneous

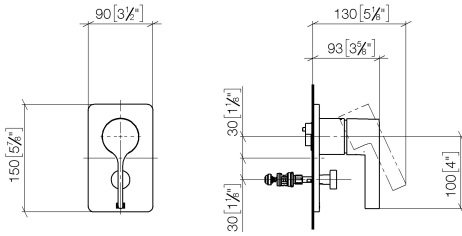


xGRID Installation track 555 mm - 12 360 970 90

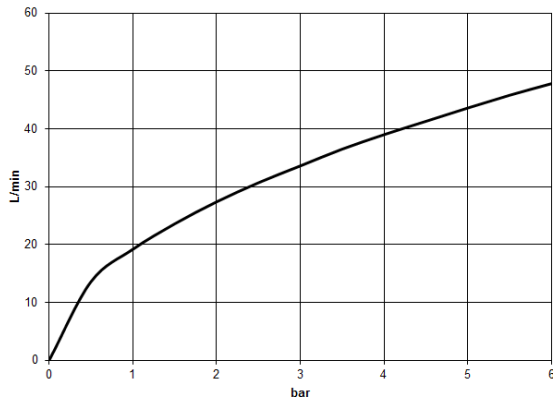
LULU Concealed single-lever mixer with diverter - Brushed Platinum

36 122 710

mm [inches]



Flow rate chart



Codes & Standards

DIN 4109

ISO 3822

Ü-Zeichen



LULU Concealed single-lever mixer with diverter - Brushed Platinum

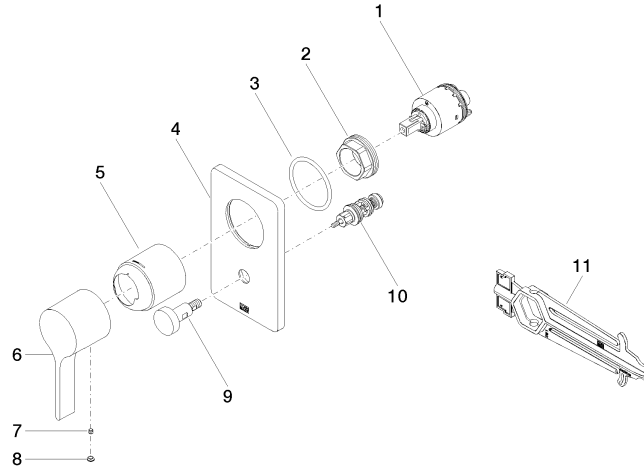
36 122 710

Certificates

LGA_29

LULU Concealed single-lever mixer with diverter - Brushed Platinum

36 122 710



Spare parts list

| No. | Item Number | Name | Quantity used | Delivery time |
|-----|--------------------|-----------|---------------|---------------|
| 1 | 90 15 05 039 00 90 | cartridge | 1 | 2 |
| 2 | 09 24 04 448 90 | nut | 1 | 2 |
| 3 | 09 14 10 084 90 | seal | 1 | 2 |
| 4 | 09 11 02 328-06 | plate | 1 | 10 |
| 5 | 09 11 02 260-06 | sleeve | 1 | 10 |
| 6 | 09 20 80 023-06 | handle | 1 | 10 |
| 7 | 09 31 11 099 90 | pin | 1 | 2 |
| 8 | 90 31 20 087 00-06 | plug | 1 | 10 |
| 9 | 90 31 09 139 00-06 | pull-rod | 1 | 10 |
| 10 | 90 21 34 081 00 90 | diverter | 1 | 2 |
| 11 | 90 30 09 064 00 90 | key | 1 | 2 |