

MEM Concealed two-way diverter - Chrome

36 200 782 Product version from 4/1/2022



- rotary diverter
- rosette 60 x 60 mm
- WRAS

	Chrome	36 200 782-00
	Brushed Platinum	36 200 782-06
	Platinum	36 200 782-08
	Dark Chrome	36 200 782-19
	Brushed Durabronze (23kt Gold)	36 200 782-28
	Brushed Champagne (22kt Gold)	36 200 782-46
	Champagne (22kt Gold)	36 200 782-47
	Brushed Dark Platinum	36 200 782-99

Required miscellaneous

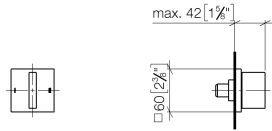


- Concealed two-way diverter -** 35 202 970 90
- max. recess depth mm
 - min. recess depth mm

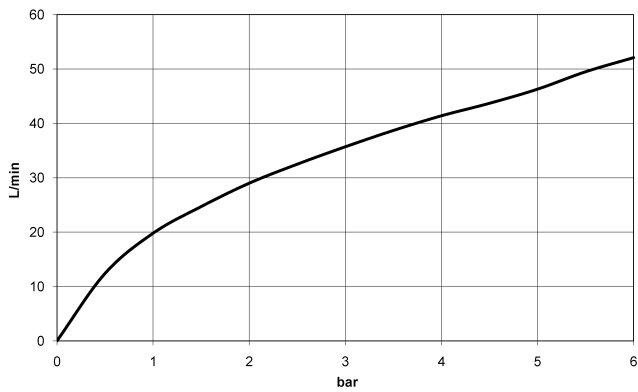
MEM Concealed two-way diverter - Chrome

36 200 782 Product version from 4/1/2022

mm [inches]



Flow rate chart



Codes & Standards

DIN 4109

ISO 3822

Scottish Water
Byelaws

UK Water Supply
Regulations

Ü-Zeichen



MEM Concealed two-way diverter - Chrome

36 200 782 Product version from 4/1/2022

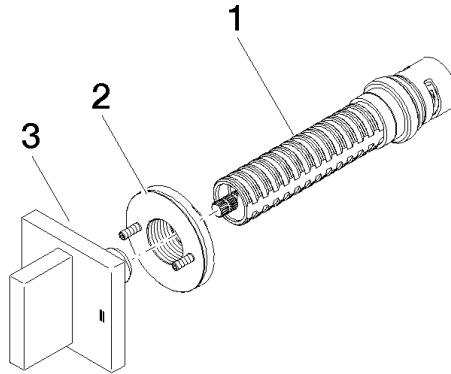
Certificates

LGA_38

WRAS_2307

MEM Concealed two-way diverter - Chrome

36 200 782 Product version from 4/1/2022



Spare parts list

No.	Item Number	Name	Quantity used	Delivery time
1	90 90 03 304 10 90	diverter	1	2
2	90 21 02 181 00 90	disc	1	2
3	90 20 78 002 08-00	handle	1	10