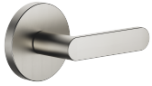


META Wall valve clockwise closing 1/2" - Brushed Platinum

META

36 607 661 Product version from 7/1/2023



- rosette Ø 60 mm
- head part with cut-to-length spindle and sleeve
- WRAS

	Brushed Platinum	36 607 661-06
	Chrome	36 607 661-00
	Dark Chrome	36 607 661-19
	Light Gold	36 607 661-26
	Brushed Light Gold	36 607 661-27
	Matte Black	36 607 661-33
	Brushed Bronze	36 607 661-42
	Brushed Champagne (22kt Gold)	36 607 661-46
	Champagne (22kt Gold)	36 607 661-47
	Brushed Chrome	36 607 661-93
	Brushed Dark Platinum	36 607 661-99

Required miscellaneous



- Wall valve 1/2" -**
- max. recess depth mm
 - min. recess depth mm

35 607 970 90

Required miscellaneous

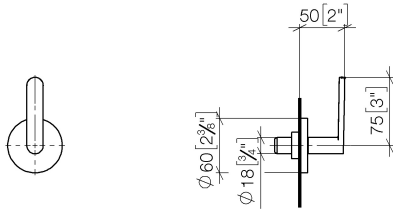


- Wall valve 1/2" -**
- max. recess depth mm
 - min. recess depth mm

35 607 970 90

36 607 661 Product version from 7/1/2023

mm [inches]



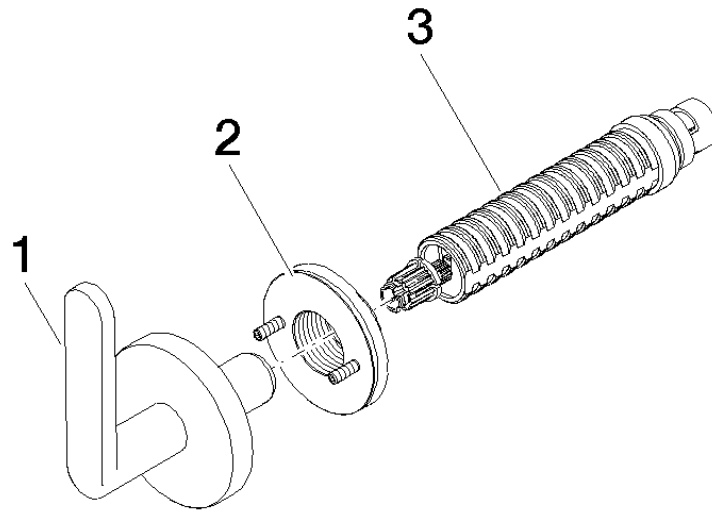
Codes & Standards

DIN 4109	ISO 3822	Scottish Water Byelaws	UK Water Supply Regulations
----------	----------	------------------------	-----------------------------

Ü-Zeichen

Certificates

LGA_38	LGA_29	WRAS_2010	LGA_29
--------	--------	-----------	--------



Spare parts list

No.	Item Number	Name	Quantity used	Delivery time
1	90 20 66 014 04-06	handle	1	10
2	90 21 02 181 00 90	disc	1	2
3	90 90 03 143 00 90	top	1	2