
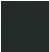



**EDITION PRO Wall-mounted single-lever basin mixer without pop-up waste -
Chrome**

36 810 626



- 170mm projection
- fixed spout
- circular, air-enriched flow
- hole diameter spout 37 mm
- hole diameter single-lever mixer 57 mm
- rosette for spout Ø 55mm
- rosette for mixer Ø 78mm
- max. flow 7 l/min
- lead-free
- WRAS 2107048

	Chrome	36 810 626-00
	Matte Black	36 810 626-33
	Brushed Chrome	36 810 626-93

Required miscellaneous



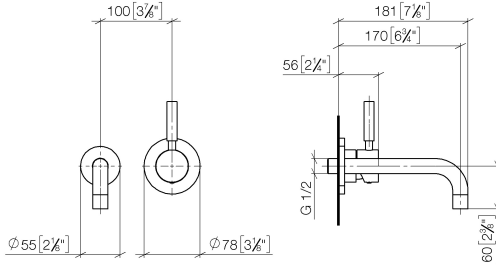
EDITION PRO Concealed wall-mounted single-lever mixer mixer on right - 35 870 970 90

- max. recess depth 95 mm
- min. recess depth 80 mm

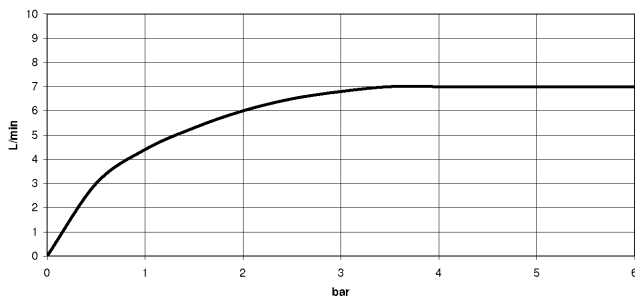


EDITION PRO Wall-mounted single-lever basin mixer without pop-up waste - Chrome

36 810 626
mm [inches]



Flow rate chart



Codes & Standards

DIN 4109

ISO 3822

Scottish Water
Byelaws

UK Water Supply
Regulations

Ü-Zeichen



EDITION PRO Wall-mounted single-lever basin mixer without pop-up waste - Chrome

36 810 626

Certificates

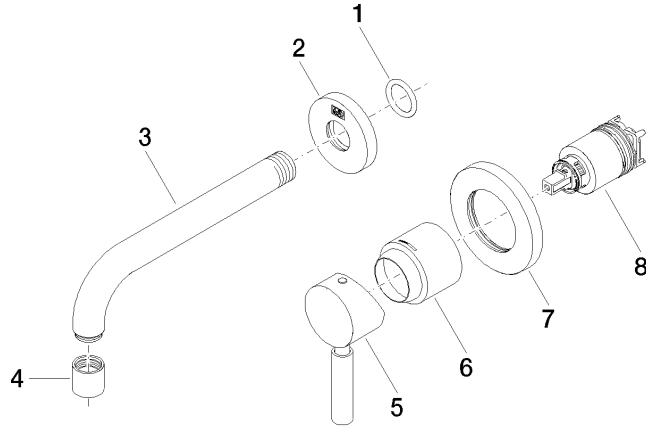
LGA_9

WRAS_2107



EDITION PRO Wall-mounted single-lever basin mixer without pop-up waste - Chrome

36 810 626





EDITION PRO Wall-mounted single-lever basin mixer without pop-up waste -
Chrome

36 810 626

Spare parts list

No.	Item Number	Name	Quantity used	Delivery time
	90 14 10 026 00 90	seal	8	2