








CYO Wall-mounted single-lever basin mixer without pop-up waste - Brushed Dark Platinum

CYO

36 861 811



- 190mm projection
- fixed spout
- rectangular, air-enriched flow
- hole diameter spout 37 mm
- hole diameter single-lever mixer 57 mm
- rosette for mixer 80 x 80mm
- max. flow 4.5 l/min
- lead-free
- This product can help a building meet the requirements of Green Building Rating Systems, e.g. LEED®, BREEAM®, DGNB
- WRAS 2107047

	Brushed Dark Platinum	36 861 811-99
	Chrome	36 861 811-00
	Brushed Platinum	36 861 811-06
	Dark Chrome	36 861 811-19
	Brushed Durabronze (23kt Gold)	36 861 811-28

Required miscellaneous



Concealed wall-mounted single-lever mixer - 35 860 970 90

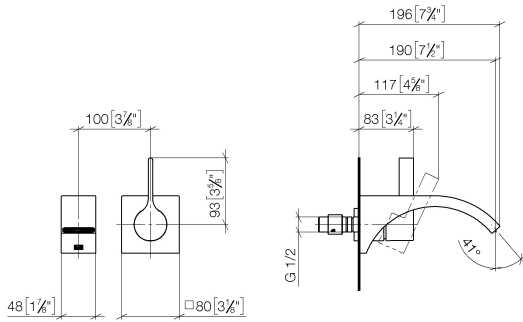
- max. recess depth 95 mm
- min. recess depth 80 mm



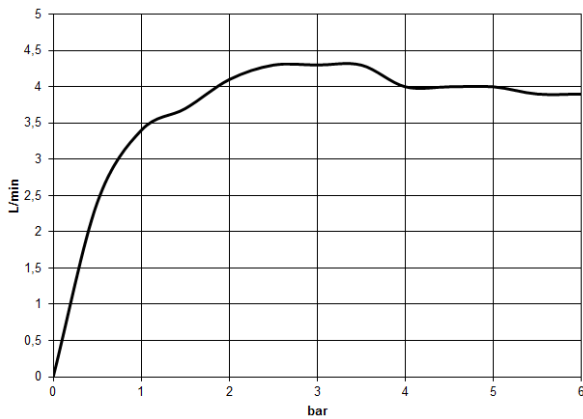
CYO Wall-mounted single-lever basin mixer without pop-up waste - Brushed Dark Platinum

CYO

36 861 811
mm [inches]



Flow rate chart



Codes & Standards

ASME A112.18.1	cUPC	DIN 4109	EPA WaterSense
ISO 3822	NSF372	NSF61	Scottish Water Byelaws
UK Water Supply Regulations	Ü-Zeichen	WaterSense	



CYO Wall-mounted single-lever basin mixer without pop-up waste - Brushed
Dark Platinum

CYO

36 861 811

Certificates

LGA_38

IAPMO_4976

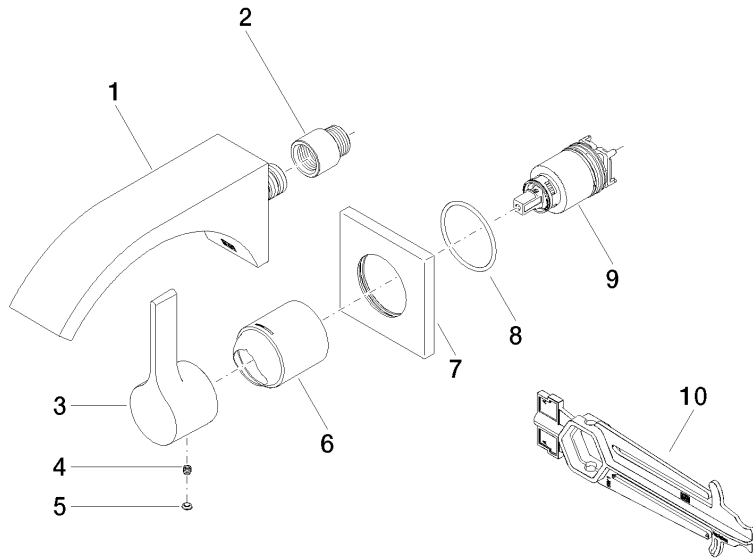
WRAS_2107

IAPMO_8834

IAPMO_6397

IAPMO_N-4976

36 861 811





CYO Wall-mounted single-lever basin mixer without pop-up waste - Brushed Dark Platinum

CYO

36 861 811

Spare parts list

No.	Item Number	Name	Quantity used	Delivery time
	13 805 811-99	CYO Wall-mounted basin spout without pop-up waste - Brushed Dark Platinum	10	30