

## eSET Touchfree Basin mixer without temperature setting -

---

42 766 970 90 Product version from 5/18/2021



- automatic hygiene flush
- suitable for thermal disinfection
- adjustable follow-up time
- high-frequency sensors with self-calibration
- magnetic valve
- 100-240 V AC / 12 V DC, 50-60 Hz, 18 W power supply unit, incl. country-specific adapter set
- WRAS

Cannot be combined with basins in conducting materials (e.g. steel, river stone).

Cannot be combined with basins that have a closing drain.

ATTENTION: Separate terms and conditions for electronic articles are applicable.

### Recommended miscellaneous

---

**Extension for Touchfree 500 mm - 12 765 970 90**

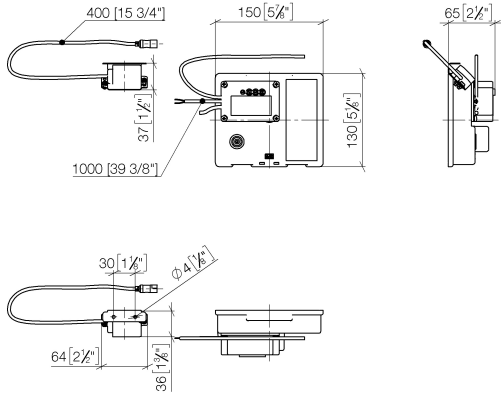




## eSET Touchfree Basin mixer without temperature setting -

42 766 970 90 Product version from 5/18/2021

mm [inches]



### Codes & Standards

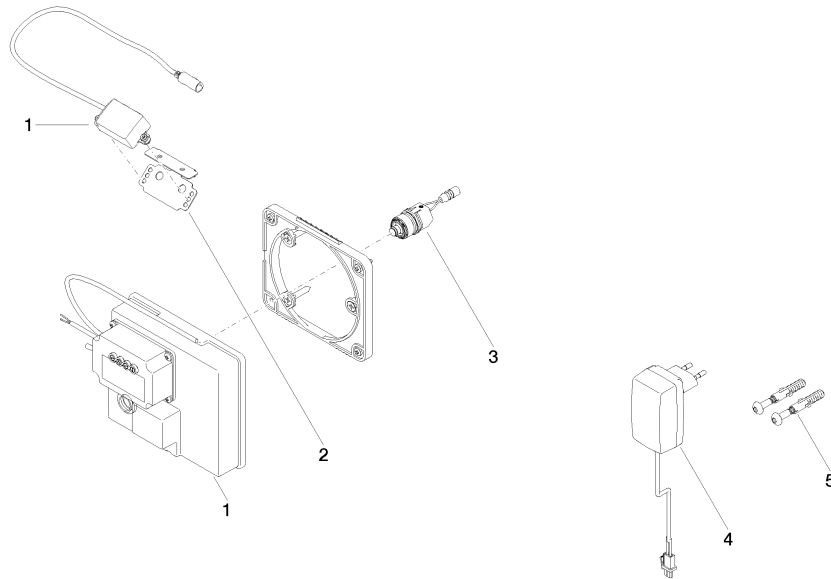
|                           |                                |          |           |
|---------------------------|--------------------------------|----------|-----------|
| CSA C22.2 No.<br>14       | CSA C22.2 No.<br>68            | DIN 4109 | ISO 3822  |
| Scottish Water<br>Byelaws | UK Water Supply<br>Regulations | UL 1951  | Ü-Zeichen |

### Certificates

|        |           |        |   |   |
|--------|-----------|--------|---|---|
| LGA_29 | WRAS_1906 | IAPMO_ | CE000001_eSet_Tou<br>chfree_20171206_D<br>E_sig | CE000002_eSet_Tou<br>chfree_20171206_E<br>N_sig |
| LGA_29 |           |        |   |   |

**eSET Touchfree Basin mixer without temperature setting -**

42 766 970 90 Product version from 5/18/2021



**Spare parts list**

| No. | Item Number        | Name                   | Quantity used | Delivery time |
|-----|--------------------|------------------------|---------------|---------------|
| 1   | 90 10 01 177 00 90 | electronic accessories | 1             | 2             |
| 2   | 90 17 20 199 00 90 | holder                 | 1             | 2             |
| 3   | 04 30 50 079 00 90 | valve                  | 1             | 2             |
| 4   | 04 10 01 246 00 90 | electronic accessories | 1             | 2             |
| 5   | 04 30 31 024 01 90 | fixing set             | 1             | 2             |