


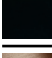


**META Washstand fitting with electronic opening and closing function without pop-up waste - Dark Chrome**

META

44 511 660

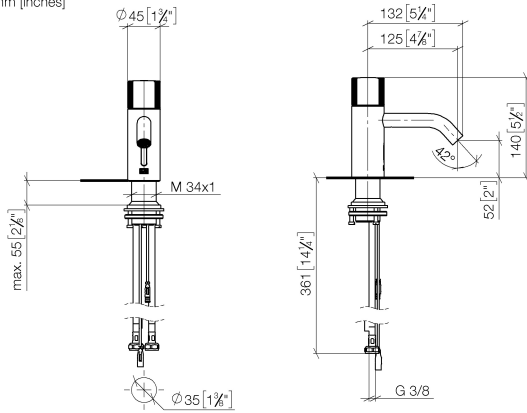


- Infrared sensor technology
- 125mm projection
- height of mixer 140 mm
- height up to aerator 52 mm
- hole diameter 35 mm
- fixed spout
- max. flow 5.7 l/min
- circular, air-enriched flow
- suitable for thermal disinfection
- Automatic shut-off after pre-set time is reached
- Direct temperature control at faucet
- Plug-in power supply included
- lead-free
- 2x screw-in M 8 x 1 pressure hose, leak-tested
- This product can help a building meet the requirements of Green Building Rating Systems, e.g. LEED®, BREEAM®, DGNB
- WRAS 2212021

|   |                                |               |
|---|--------------------------------|---------------|
|    | Dark Chrome                    | 44 511 660-19 |
|    | Chrome                         | 44 511 660-00 |
|    | Brushed Platinum               | 44 511 660-06 |
|    | Platinum                       | 44 511 660-08 |
|    | Light Gold                     | 44 511 660-26 |
|    | Brushed Light Gold             | 44 511 660-27 |
|    | Brushed Durabronze (23kt Gold) | 44 511 660-28 |
|    | Matte Black                    | 44 511 660-33 |
|    | Brushed Bronze                 | 44 511 660-42 |
|   | Brushed Champagne (22kt Gold)  | 44 511 660-46 |
|  | Champagne (22kt Gold)          | 44 511 660-47 |
|  | Brushed Chrome                 | 44 511 660-93 |
|  | Brushed Dark Platinum          | 44 511 660-99 |

44 511 660

mm [inches]



**Flow rate chart**



**Certificates**

LGA\_38243.

WRAS\_2212021.

META Washstand fitting with electronic opening and closing function without  
pop-up waste - Dark Chrome

META

44 511 660

Parts for other  
finishes can be found  
here: [Chrome](#)

