




## EDITION PRO Tumbler holder wall model - Matte Black

---

83 400 626



- crystal glass brush holder, matte
- width 60mm
- height 120 mm
- 110mm projection

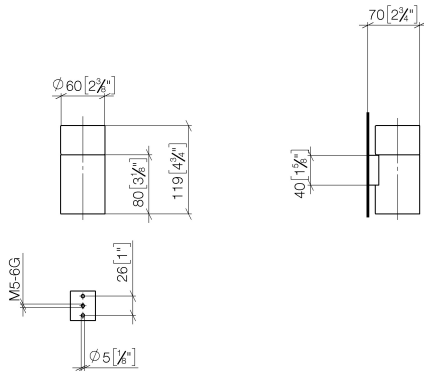
	Matte Black	83 400 626-33
	Chrome	83 400 626-00
	Brushed Chrome	83 400 626-93



# EDITION PRO Tumbler holder wall model - Matte Black

83 400 626

mm [inches]

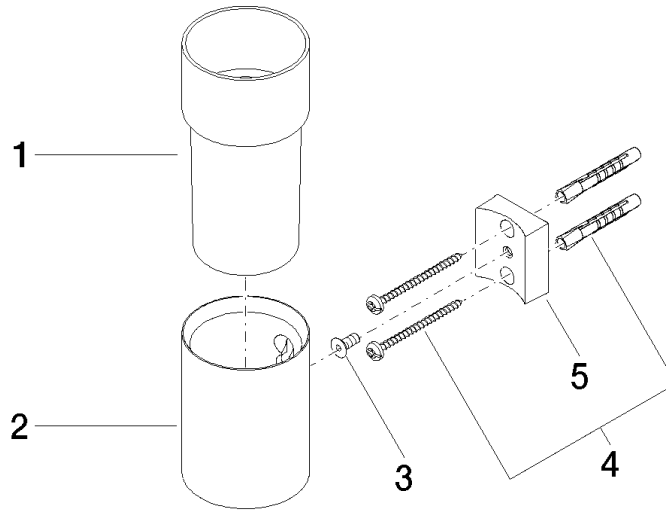


EDITION PRO Tumbler holder wall model - Matte Black

---

83 400 626

Parts for other finishes can be found here: [Chrome](#)





## EDITION PRO Tumbler holder wall model - Matte Black

---

83 400 626

### Spare parts list

No.	Item Number	Name	Quantity used	Delivery time
	08 90 00 008 82	Crystal tumbler -	5	2