

**Tumbler holder wall model - Brushed Durabross (23kt Gold)**

MADISON

83 400 979



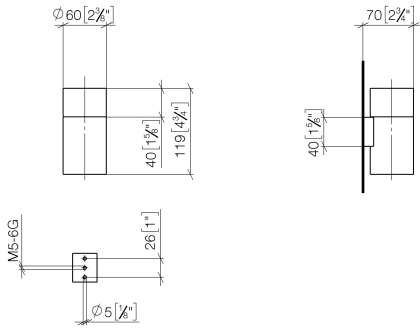
- crystal glass, transparent
- width 60mm
- height 120 mm
- 110mm projection

Fits: MADISON, MEM, TARA, CL.1, LISSÉ,  
VAIA, META, CYO

|   |                               |               |
|---|-------------------------------|---------------|
|    | Brushed Durabross (23kt Gold) | 83 400 979-28 |
|    | Chrome                        | 83 400 979-00 |
|    | Brushed Platinum              | 83 400 979-06 |
|    | Platinum                      | 83 400 979-08 |
|    | Durabross (23kt Gold)         | 83 400 979-09 |
|    | Dark Chrome                   | 83 400 979-19 |
|    | Light Gold                    | 83 400 979-26 |
|    | Brushed Light Gold            | 83 400 979-27 |
|    | Matte Black                   | 83 400 979-33 |
|   | Brushed Bronze                | 83 400 979-42 |
|  | Brushed Champagne (22kt Gold) | 83 400 979-46 |
|  | Champagne (22kt Gold)         | 83 400 979-47 |
|  | Brushed Chrome                | 83 400 979-93 |
|  | Brushed Dark Platinum         | 83 400 979-99 |

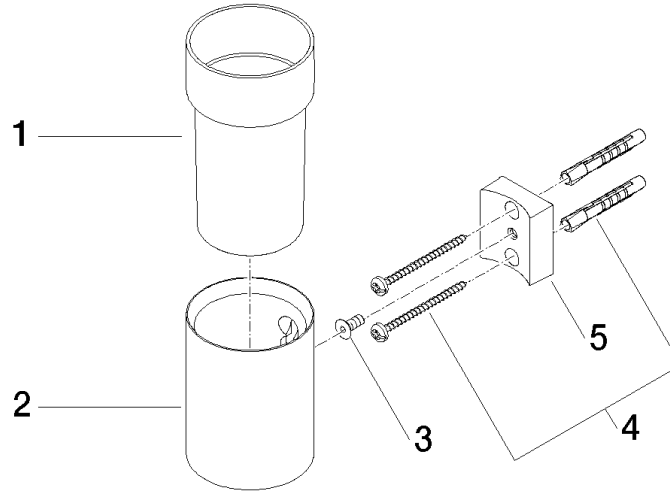
83 400 979

mm [inches]



83 400 979

Parts for other finishes can be found here: [Chrome](#)



### Spare parts list

| No. | Item Number        | Name       | Quantity used | Delivery time |
|-----|--------------------|------------|---------------|---------------|
| 1   | 90 90 00 008 00 84 | glass      | 1             | 2             |
| 2   | 08 17 97 569-28    | holder     | 1             | 20            |
| 3   | 09 30 30 117 90    | screw      | 1             | 2             |
| 4   | 05 30 31 025 00 90 | fixing set | 1             | 2             |
| 5   | 08 10 10 530-28    | holder     | 1             | 20            |