
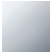
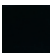


EDITION PRO Tissue holder with cover - Brushed Chrome

83 510 626



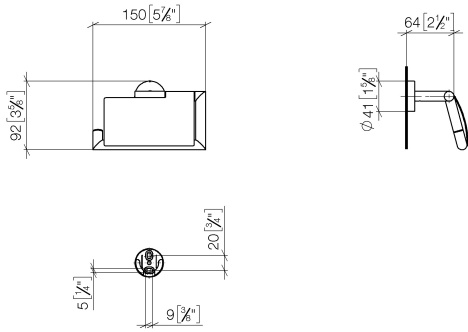
- width 150mm
- height 95 mm
- rosette Ø 40 mm
- 40mm projection

| | | |
|---|----------------|---------------|
|  | Brushed Chrome | 83 510 626-93 |
|  | Chrome | 83 510 626-00 |
|  | Matte Black | 83 510 626-33 |

EDITION PRO Tissue holder with cover - Brushed Chrome

83 510 626

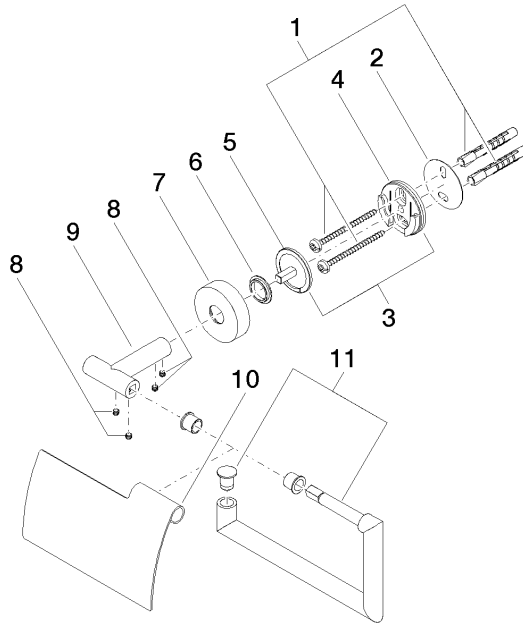
mm [inches]



EDITION PRO Tissue holder with cover - Brushed Chrome

83 510 626

Parts for other finishes can be found here: [Chrome](#)



Spare parts list

| No. | Item Number | Name | Quantity used | Delivery time |
|-----|--------------------|------------|---------------|---------------|
| 1 | 05 30 31 025 00 90 | fixing set | 1 | 2 |
| 2 | 05 30 11 519 00 90 | disc | 1 | 2 |
| 3 | 05 17 97 501 01 90 | fixing set | 1 | 2 |
| 4 | 08 17 97 501 07 | holder | 1 | 2 |
| 5 | 08 17 97 559 90 | holder | 1 | 2 |
| 6 | 08 30 11 516 90 | ring | 1 | 2 |
| 7 | 08 27 97 500-93 | rosette | 1 | 20 |
| 8 | 90 31 11 038 00 90 | pin | 4 | 2 |
| 9 | 05 17 97 562 01-93 | holder | 1 | 20 |
| 10 | 08 11 02 514-93 | lid | 1 | 20 |
| 11 | 90 28 22 628 00-93 | holder | 1 | 20 |