

LULU eSET Touchfree Basin mixer without pop-up waste without temperature setting - Chrome

LULU

ST 010 202 2710



- 200mm projection
 - fixed spout
 - circular, air-enriched flow
 - hole diameter 40 mm
 - 1/2" connection
 - plug-link mounting
 - max. flow 7 l/min
 - lead-free
 - automatic hygiene flush
 - suitable for thermal disinfection
 - adjustable follow-up time
 - high-frequency sensors with self-calibration
 - magnetic valve
 - 100-240 V AC / 12 V DC, 50-60 Hz, 18 W power supply unit, incl. country-specific adapter set
 - This product can help a building meet the requirements of Green Building Rating Systems, e.g. LEED®, BREEAM®, DGNB
- Cannot be combined with basins in conducting materials (e.g. steel, river stone).**
Cannot be combined with basins that have a closing drain.
ATTENTION: Separate terms and conditions for electronic articles are applicable.

Individual components of this set

You need the following components for this set



1x

42 766 970 90



1x

13 800 710-00



LULU eSET Touchfree Basin mixer without pop-up waste without temperature setting - Chrome

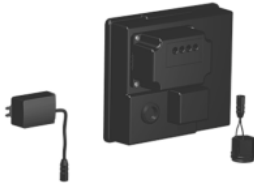
LULU

ST 010 202 2710

LULU eSET Touchfree Basin mixer without pop-up waste without temperature setting - Chrome

LULU

ST 010 202 2710



Fits: IMO, LULU, MADISON, MEM, TARA, CL.1, LISSÉ, VAIA, META, CYO

- automatic hygiene flush
- suitable for thermal disinfection
- adjustable follow-up time
- high-frequency sensors with self-calibration
- magnetic valve
- 100-240 V AC / 12 V DC, 50-60 Hz, 18 W power supply unit, incl. country-specific adapter set
- WRAS 1906116

**Cannot be combined with basins in conducting materials (e.g. steel, river stone).
Cannot be combined with basins that have a closing drain.**

ATTENTION: Separate terms and conditions for electronic articles are applicable.

Cannot be combined with basins in conducting materials (e.g. steel, river stone).

Cannot be combined with basins that have a closing drain.

ATTENTION: Separate terms and conditions for electronic articles are applicable.

Required miscellaneous



eSET Touchfree Basin mixer without temperature setting for combining with free-standing fittings -

35 742 970 90

Required miscellaneous



eSET Touchfree Basin mixer without temperature setting for combining with wall-mounted fittings -

35 743 970 90

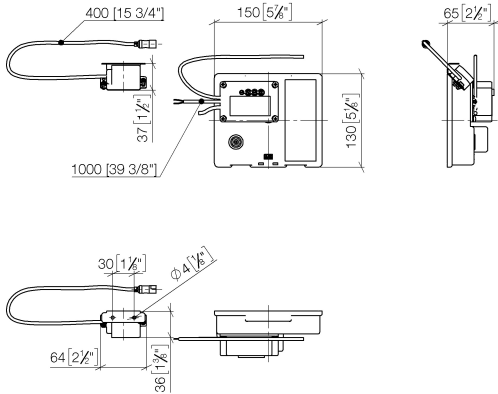
- min. recess depth 90 mm
- max. recess depth 125 mm

Recommended miscellaneous

Extension for Touchfree 500 mm - 12 765 970 90



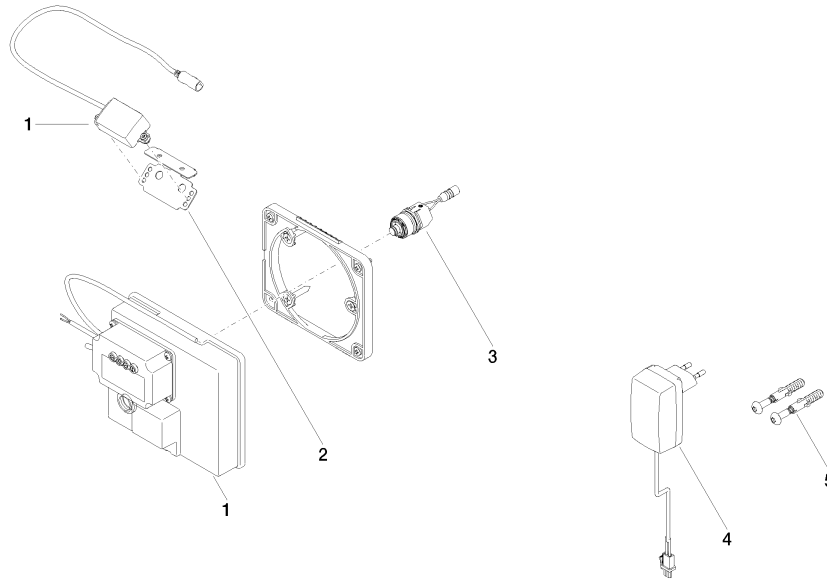
ST 010 202 2710
mm [inches]



Certificates

LGA_29120.	WRAS_1906116.	IAPMO_EGS.	CE000001_eSet_Tou chfree_20171206_D E_signed.	CE000002_eSet_Tou chfree_20171206_E N_signed.
LGA_29119.				

ST 010 202 2710



Spare parts list

No.	Item Number	Name	Quantity used	Delivery time
1	90 10 01 177 00 90	electronic accessories	1	2
2	90 17 20 199 00 90	holder	1	2
3	04 30 50 079 00 90	valve	1	2
4	04 10 01 050 00 90	power supply	1	60
5	04 30 31 024 01 90	fixing set	1	2

ST 010 202 2710



- 200mm projection
- fixed spout
- circular, air-enriched flow
- hole diameter 40 mm
- 1/2" connection
- plug-link mounting
- max. flow 7 l/min
- lead-free
- This product can help a building meet the requirements of Green Building Rating Systems, e.g. LEED®, BREEAM®, DGNB
- WRAS 1906062

For Touchfree control please order eSet Touchfree WITH or WITHOUT temperature adjustment

Recommended miscellaneous



Concealed wall elbow -

35 085 970 90

- max. recess depth 163 mm
- min. recess depth 90 mm

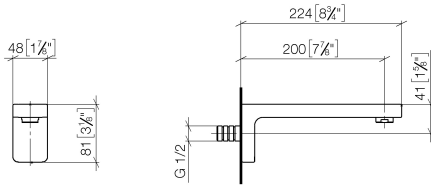


LULU eSET Touchfree Basin mixer without pop-up waste without temperature setting - Chrome

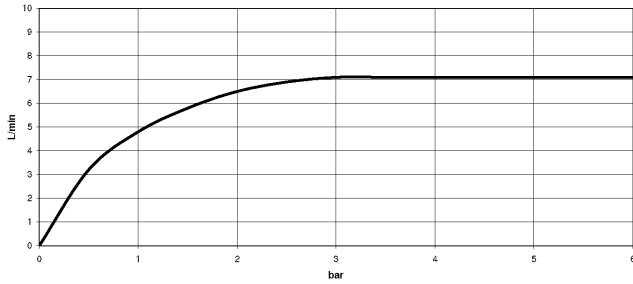
LULU

ST 010 202 2710

ST 010 202 2710
mm [inches]

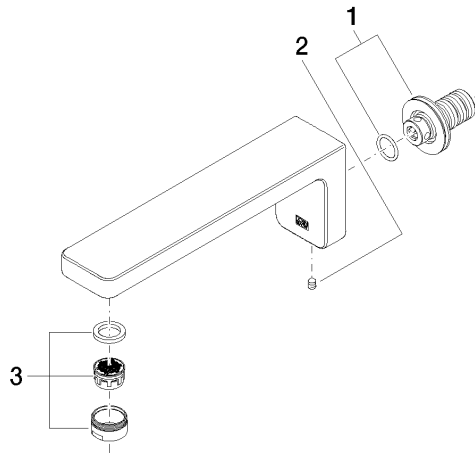


Flow rate chart



Certificates

WRAS_1906062. LGA_29119.



Spare parts list

No.	Item Number	Name	Quantity used	Delivery time
1	90 24 03 108 00 90	nipple set	1	2
2	90 31 11 004 00 90	pin	1	2
3	90 23 01 118 01-00	aerator	1	10