

**META 02 Two-hole mixer with individual rosettes with rinsing spray set -
Platinum**

ST 110 103 3625



- 236mm projection
- pivotable spout 360°
- air-enriched flow and spray flow
- height of mixer 345 mm
- height up to aerator 260 mm
- hole diameter spout 35 mm
- single-lever mixer hole diameter 35 mm
- hole diameter rinsing spray 32mm
- fabric braided hose 1500 mm
- automatic spout/shower diverter
- sprayface with anti-scaling system
- max. flow 7 l/min at 3 bar flow pressure
- lead-free

Individual components of this set

You need the following components for this set



1x 27 721 970-08



1x 32 815 625-08



META 02 Two-hole mixer with individual rosettes with rinsing spray set - Platinum

ST 110 103 3625

**META 02 Two-hole mixer with individual rosettes with rinsing spray set -
Platinum**

ST 110 103 3625



Fits: ELIO, TARA, TARA ULTRA

- with round rosette
- spray flow
- automatic spout/shower diverter
- height of mixer 191 mm
- hole diameter rinsing spray 32mm
- fabric braided hose 1500 mm
- sprayface with anti-scaling system
- lead-free

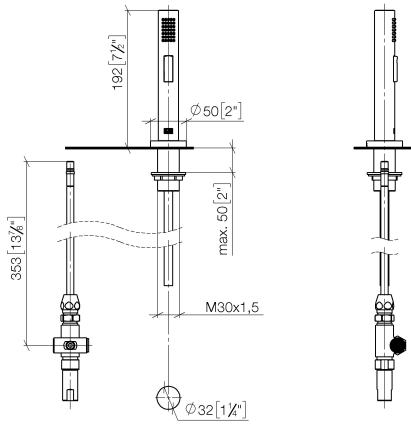
Can only be combined with 33826790, 32800790, 33826888, 32815888, 20815892, 33826875.

Intrinsic protection against back flow.

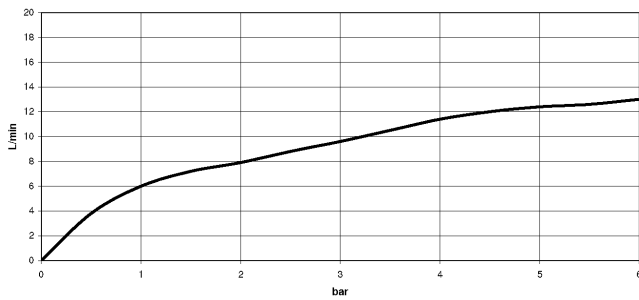
	Platinum	27 721 970-08
	Chrome	27 721 970-00
	Brushed Platinum	27 721 970-06
	Durabass (23kt Gold)	27 721 970-09
	Dark Chrome	27 721 970-19
	Brushed Durabass (23kt Gold)	27 721 970-28
	Matte Black	27 721 970-33
	Brushed Champagne (22kt Gold)	27 721 970-46
	Champagne (22kt Gold)	27 721 970-47
	Brushed Chrome	27 721 970-93
	Brushed Dark Platinum	27 721 970-99

META 02 Two-hole mixer with individual rosettes with rinsing spray set - Platinum

ST 110 103 3625
mm [inches]



Flow rate chart

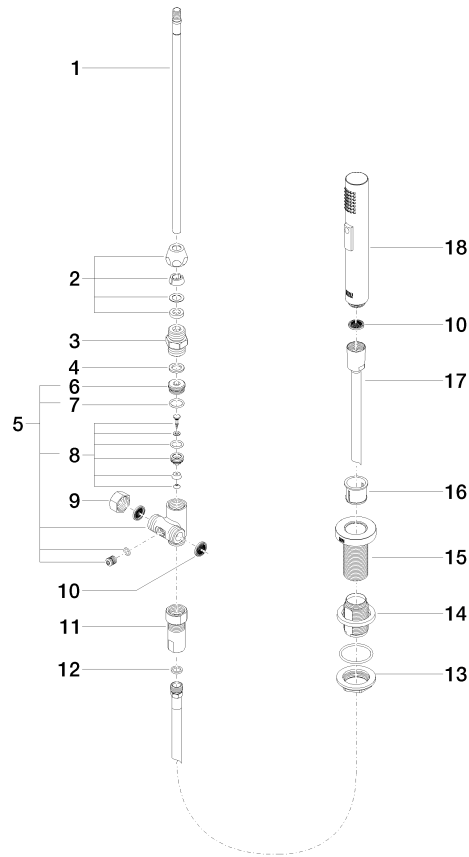


Certificates

LGA_18901. Belgaqua_21-027-27_3. IAPMO_N-4976 (2). LGA_29572. IAPMO_6397.

**META 02 Two-hole mixer with individual rosettes with rinsing spray set -
Platinum**

ST 110 103 3625
Parts for other
finishes can be found
here: [Chrome](#)



Spare parts list

No.	Item Number	Name	Quantity used	Delivery time
1	04 24 02 046 01-07	pipe	1	10
2	90 23 30 040 00-08	threaded connector	1	40
3	90 24 03 168 00 90	nipple	1	2
4	90 14 20 002 00 90	seal	1	2
5	90 17 09 046 10 90	diverter	1	2
6	09 24 04 112 10 90	nipple	1	2
7	90 14 10 033 00 90	seal	1	2
8	90 21 10 031 10 90	diverter	1	2
9	04 21 02 006 00 92	cap	1	2
10	09 23 01 039 90	sieve	2	2
11	90 24 03 241 00 90	nipple	1	2
12	90 14 20 019 00 90	seal	1	2
13	04 30 11 038 66 90	fixing set	1	2
14	12 720 970 90	Extension set -	1	60
15	09 30 01 285-08	rosette	1	40
16	90 18 40 085 00 90	sleeve	1	2
17	90 30 02 062 00-08	hose	1	40
18	04 12 11 158 00-08	shower	1	40

META 02 Two-hole mixer with individual rosettes with rinsing spray set - Platinum

ST 110 103 3625



- 236mm projection
- pivotable spout 360°
- air-enriched flow
- height of mixer 345 mm
- height up to aerator 260 mm
- hole diameter spout 35 mm
- single-lever mixer hole diameter 35 mm
- max. flow 7 l/min at 3 bar flow pressure
- lead-free
- WRAS 2101013

Operating unit can be positioned freely.

Recommended miscellaneous

Strainer waste with control handle - Platinum 10 710 970-08



Recommended miscellaneous

Dispenser with rosette - Platinum 82 444 970-08



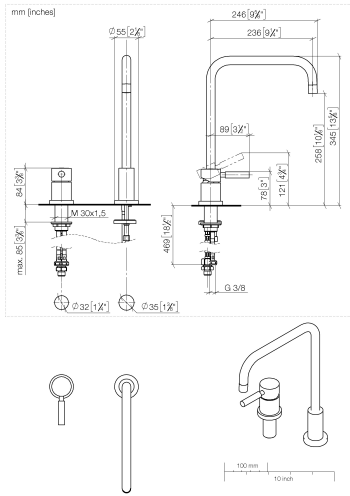


META 02 Two-hole mixer with individual rosettes with rinsing spray set - Platinum

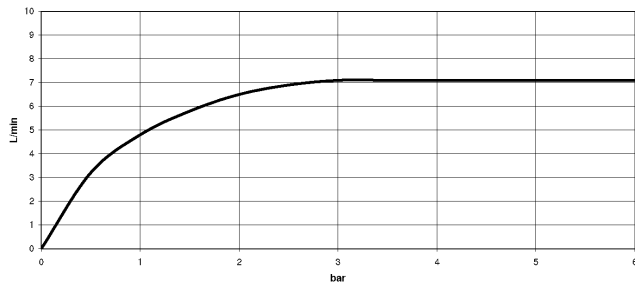
ST 110 103 3625

META 02 Two-hole mixer with individual rosettes with rinsing spray set - Platinum

ST 110 103 3625



Flow rate chart



Certificates

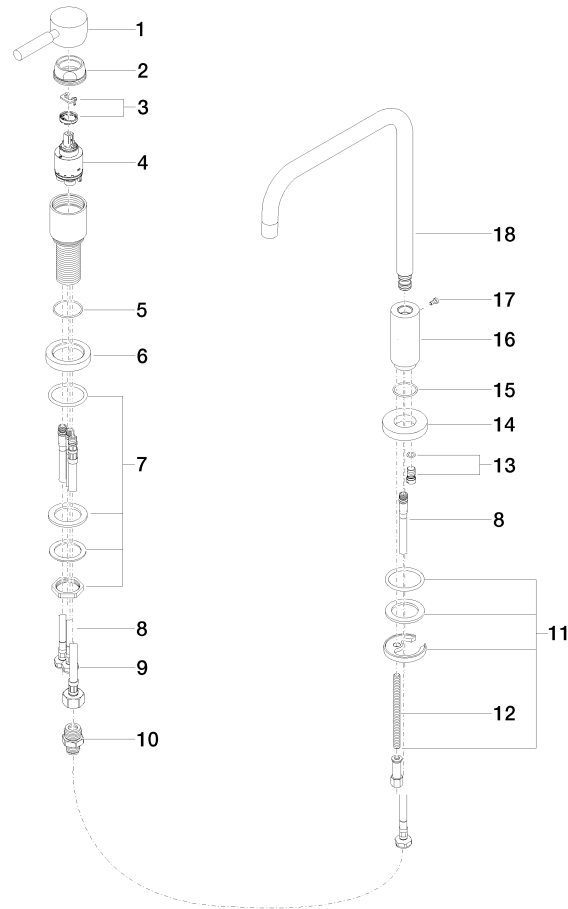
ETA_18988.

LGA_9391.

WRAS_2101013.

META 02 Two-hole mixer with individual rosettes with rinsing spray set - Platinum

ST 110 103 3625



Spare parts list

No.	Item Number	Name	Quantity used	Delivery time
1	90 20 62 040 00-08	handle	1	40
2	09 24 04 107-08	nut	1	40
3	90 28 10 148 00 90	accessories	1	2
4	90 15 05 065 00 90	cartridge	1	2
5	09 14 10 102 90	seal	1	2
6	09 28 10 111-08	rosette	1	40
7	04 23 10 032 46 90	fixing set	1	2
8	04 30 04 104 00 90	hose	3	2
9	04 30 04 019 00 90	hose	1	2
10	90 24 03 514 00 90	nipple set	1	2
11	04 30 11 038 00 90	fixing set	1	2
12	09 31 11 012 90	pin	1	2
13	04 31 20 046 10 92	set	1	2
14	09 28 10 064-08	rosette	1	40
15	09 14 10 120 90	seal	1	2
16	09 11 10 062 10-08	connection	1	40
17	09 30 30 057 90	screw	1	2
18	90 28 22 209 00-08	spout	1	40