

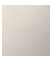

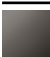








ST 110 112 1888



- 236mm projection
- pivotable spout 360°
- air-enriched flow and spray flow
- fabric braided hose 1500 mm
- automatic spout/shower diverter
- sprayface with anti-scaling system
- max. flow 8.3 l/min at 3 bar flow pressure
- lead-free
- This product can help a building meet the requirements of Green Building Rating Systems, e.g. LEED®, BREEAM®, DGNB

	Chrome	ST 110 112 1888-00
	Brushed Platinum	ST 110 112 1888-06
	Platinum	ST 110 112 1888-08
	Durabronze (23kt Gold)	ST 110 112 1888-09
	Dark Chrome	ST 110 112 1888-19
	Brushed Durabronze (23kt Gold)	ST 110 112 1888-28
	Matte Black	ST 110 112 1888-33
	Brushed Champagne (22kt Gold)	ST 110 112 1888-46
	Champagne (22kt Gold)	ST 110 112 1888-47
	Brushed Chrome	ST 110 112 1888-93
	Brushed Dark Platinum	ST 110 112 1888-99

**Individual components of this set**

You need the following components for this set



1x 27 721 970-00



1x 32 815 888-00



TARA Two-hole mixer with individual rosettes with rinsing spray set - Chrome

---

TARA

ST 110 112 1888

ST 110 112 1888



Fits: ELIO, TARA, TARA ULTRA

- with round rosette
- spray flow
- automatic spout/shower diverter
- height of mixer 191 mm
- hole diameter rinsing spray 32mm
- fabric braided hose 1500 mm
- sprayface with anti-scaling system
- lead-free

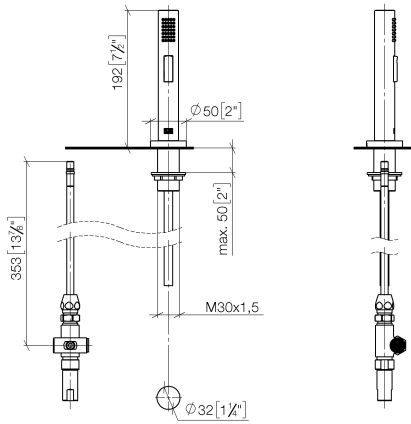
Can only be combined with 33826790, 32800790, 33826888, 32815888, 20815892, 33826875.

Intrinsic protection against back flow.

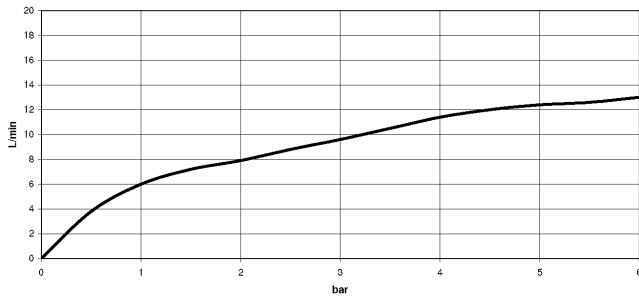
	Chrome	27 721 970-00
	Brushed Platinum	27 721 970-06
	Platinum	27 721 970-08
	Durabrace (23kt Gold)	27 721 970-09
	Dark Chrome	27 721 970-19
	Brushed Durabrace (23kt Gold)	27 721 970-28
	Matte Black	27 721 970-33
	Brushed Champagne (22kt Gold)	27 721 970-46
	Champagne (22kt Gold)	27 721 970-47
	Brushed Chrome	27 721 970-93
	Brushed Dark Platinum	27 721 970-99

ST 110 112 1888

mm [inches]

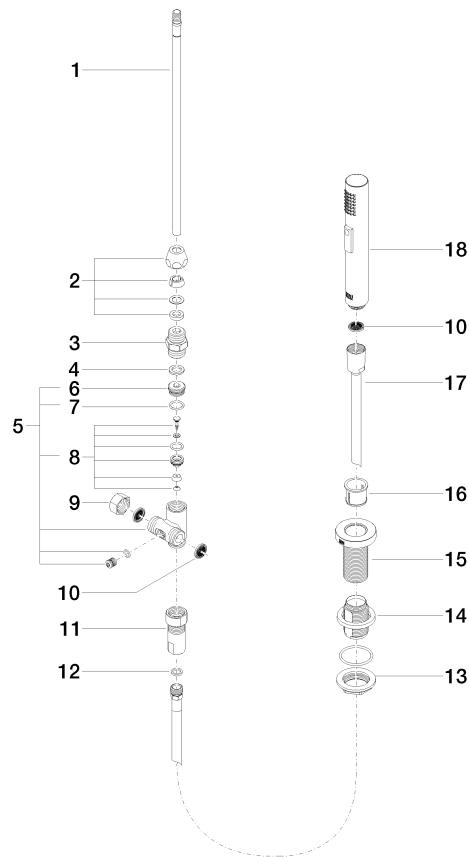


**Flow rate chart**



**Certificates**

LGA\_18901.      Belgaqua\_21-027-27\_3.      IAPMO\_N-4976 (2).      LGA\_29572.      IAPMO\_6397.



Spare parts list

No.	Item Number	Name	Quantity used	Delivery time
1	04 24 02 046 01-07	pipe	1	10
2	90 23 30 040 00-00	threaded connector	1	10
3	90 24 03 168 00 90	nipple	1	2
4	90 14 20 002 00 90	seal	1	2
5	90 17 09 046 10 90	diverter	1	2
6	09 24 04 112 10 90	nipple	1	2
7	90 14 10 033 00 90	seal	1	2
8	90 21 10 031 10 90	diverter	1	2
9	04 21 02 006 00 92	cap	1	2
10	09 23 01 039 90	sieve	2	2
11	90 24 03 241 00 90	nipple	1	2
12	90 14 20 019 00 90	seal	1	2
13	04 30 11 038 66 90	fixing set	1	2
14	12 720 970 90	Extension set -	1	60
15	09 30 01 285-00	rosette	1	10
16	90 18 40 085 00 90	sleeve	1	2
17	90 30 02 062 00-00	hose	1	2
18	04 12 11 158 00-00	shower	1	10

ST 110 112 1888



- 236mm projection
- pivotable spout 360°
- air-enriched flow
- max. flow 8.3 l/min at 3 bar flow pressure
- lead-free
- This product can help a building meet the requirements of Green Building Rating Systems, e.g. LEED®, BREEAM®, DGNB

Operating unit can be positioned freely.

	Chrome	32 815 888-00
	Brushed Platinum	32 815 888-06
	Platinum	32 815 888-08
	Durabrand (23kt Gold)	32 815 888-09
	Dark Chrome	32 815 888-19
	Brushed Durabrand (23kt Gold)	32 815 888-28
	Matte Black	32 815 888-33
	Brushed Champagne (22kt Gold)	32 815 888-46
	Champagne (22kt Gold)	32 815 888-47
	Brushed Chrome	32 815 888-93
	Brushed Dark Platinum	32 815 888-99

**Recommended miscellaneous**

	<b>Swivel limitation set -</b>	12 820 970 90
---	--------------------------------	---------------

**Recommended miscellaneous**

	<b>Strainer waste with control handle - Chrome</b>	10 710 970-00
---	--	---------------

**Recommended miscellaneous**

	<b>Dispenser with rosette - Chrome</b>	82 444 970-00
---	--	---------------



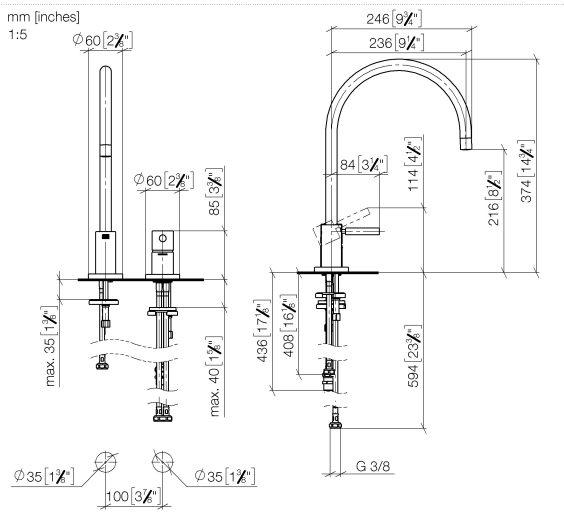
TARA Two-hole mixer with individual rosettes with rinsing spray set - Chrome

---

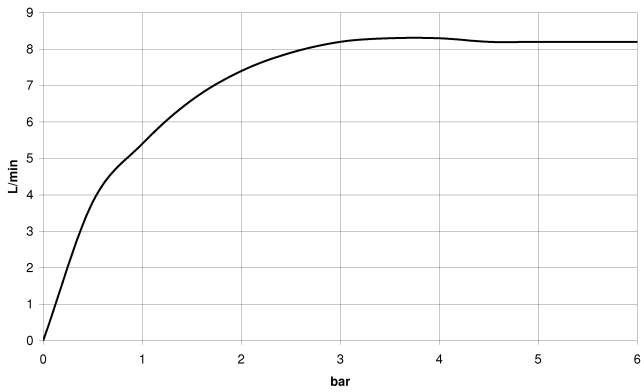
TARA

ST 110 112 1888

ST 110 112 1888



**Flow rate chart**



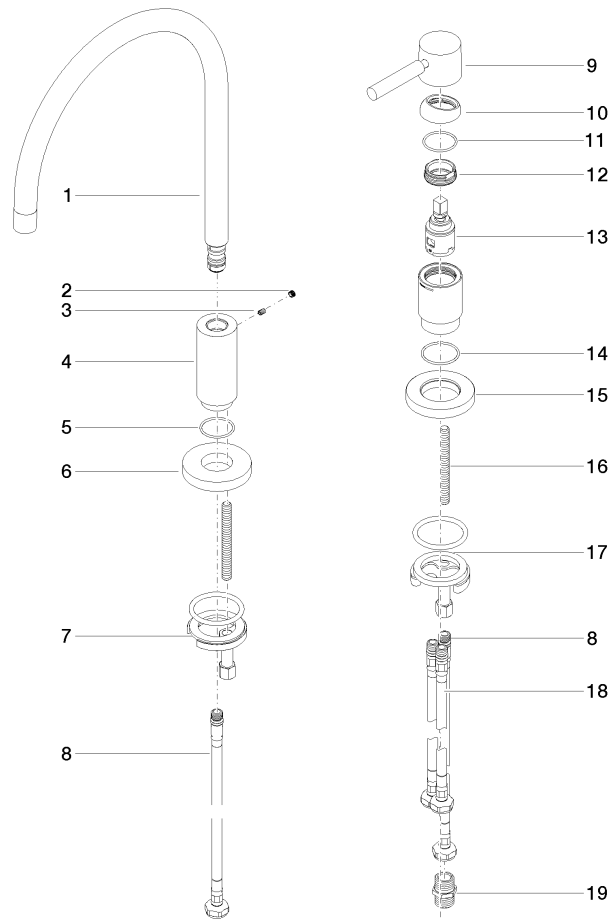
**Certificates**

LGA\_38638.

WRAS\_240102014.



ST 110 112 1888



**Spare parts list**

No.	Item Number	Name	Quantity used	Delivery time
1	90 28 22 226 00-00	spout	1	60
2	90 31 20 109 00 90	plug	1	2
3	09 31 11 008 90	pin	1	2
4	09 11 10 062 10-00	connection	1	10
5	09 14 10 120 90	seal	1	2
6	90 28 10 211 00-00	rosette	1	-
Spare part can no longer be ordered, please order the replacement item				
7	04 30 11 038 00 90	fixing set	1	2
8	04 30 04 019 00 90	hose	2	2
9	90 20 66 003 00-00	handle	1	10
10	09 28 30 026-00	cover	1	10
11	09 14 10 091 90	seal	1	2
12	09 24 04 266 90	nut	1	2
13	90 15 05 042 00 90	cartridge	1	2
14	09 14 10 110 90	seal	1	2
15	09 27 97 040-00	rosette	1	10
16	09 31 11 011 90	pin	1	2
17	04 30 11 085 97 90	fixing set	1	2
18	04 30 04 105 00 90	hose	2	2
19	90 24 03 168 00 90	nipple	1	2