

**TARA Three-hole mixer with rinsing spray set - Brushed Champagne (22kt Gold)**

TARA

ST 110 201 1892



- 235mm projection
- pivotable spout 360°
- air-enriched flow and spray flow
- height of mixer 370 mm
- height up to aerator 212 mm
- hole diameter spout 35 mm
- hole diameter valve 32 mm
- hole diameter rinsing spray 32mm
- fabric braided hose 1500 mm
- automatic spout/shower diverter
- sprayface with anti-scaling system
- max. flow 7 l/min at 3 bar flow pressure
- lead-free
- This product can help a building meet the requirements of Green Building Rating Systems, e.g. LEED®, BREEAM®, DGNB

	Brushed Champagne (22kt Gold)	ST 110 201 1892-46
	Chrome	ST 110 201 1892-00
	Brushed Platinum	ST 110 201 1892-06
	Platinum	ST 110 201 1892-08
	Durabronze (23kt Gold)	ST 110 201 1892-09
	Dark Chrome	ST 110 201 1892-19
	Brushed Durabronze (23kt Gold)	ST 110 201 1892-28
	Matte Black	ST 110 201 1892-33
	Champagne (22kt Gold)	ST 110 201 1892-47
	Brushed Chrome	ST 110 201 1892-93
	Brushed Dark Platinum	ST 110 201 1892-99

**Individual components of this set**

You need the following components for this set



1x 20 815 892-46



1x 27 721 970-46



TARA Three-hole mixer with rinsing spray set - Brushed Champagne (22kt Gold)

---

TARA

ST 110 201 1892

**TARA Three-hole mixer with rinsing spray set - Brushed Champagne (22kt Gold)**

TARA

ST 110 201 1892



- 235mm projection
- pivotable spout 360°
- air-enriched flow
- height of mixer 370 mm
- height up to aerator 212 mm
- hole diameter spout 35 mm
- hole diameter valve 32 mm
- max. flow 7 l/min at 3 bar flow pressure
- lead-free
- This product can help a building meet the requirements of Green Building Rating Systems, e.g. LEED®, BREEAM®, DGNB

	Brushed Champagne (22kt Gold)	20 815 892-46
	Chrome	20 815 892-00
	Brushed Platinum	20 815 892-06
	Platinum	20 815 892-08
	Durabronze (23kt Gold)	20 815 892-09
	Dark Chrome	20 815 892-19
	Brushed Durabronze (23kt Gold)	20 815 892-28
	Matte Black	20 815 892-33
	Champagne (22kt Gold)	20 815 892-47
	Brushed Chrome	20 815 892-93
	Brushed Dark Platinum	20 815 892-99

**Recommended miscellaneous**

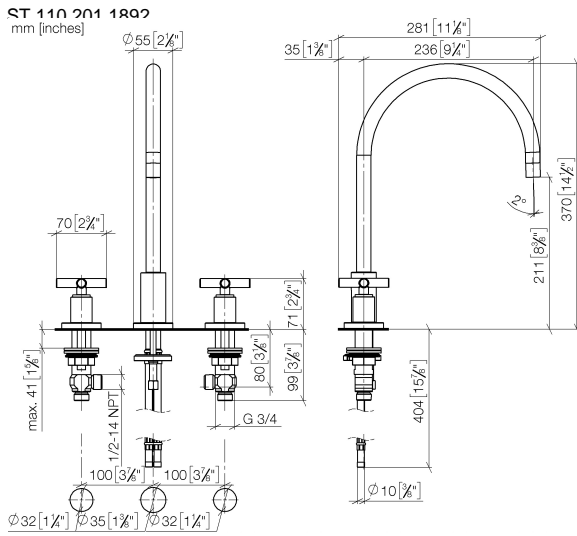
**Dispenser with rosette - Brushed Champagne (22kt Gold)** 82 444 970-46



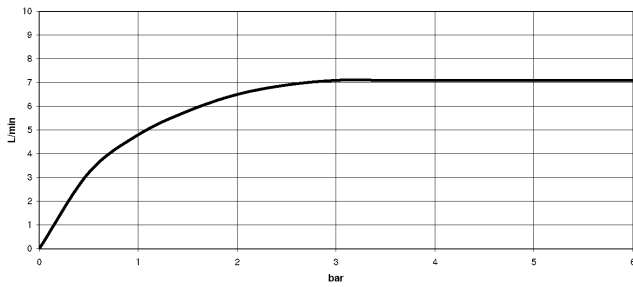
**Recommended miscellaneous**

**Strainer waste with control handle - Brushed Champagne (22kt Gold)** 10 710 970-46





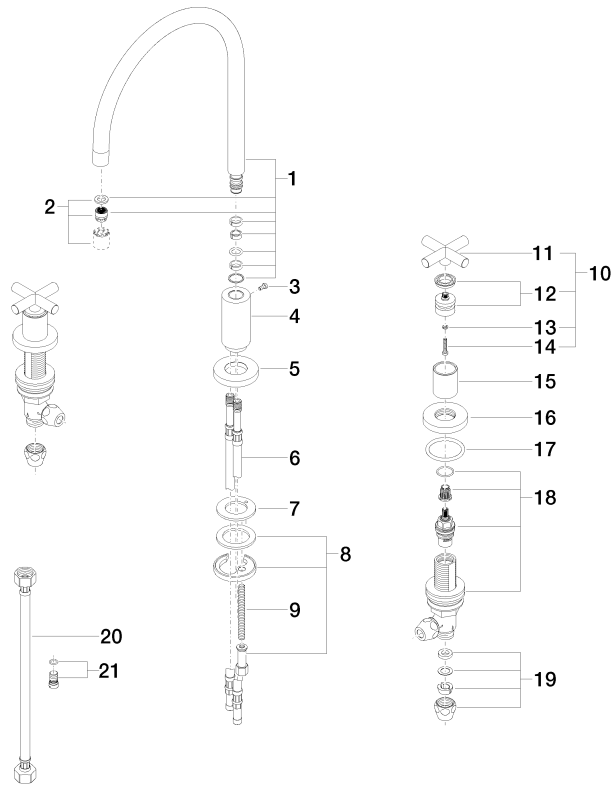
**Flow rate chart**



**Certificates**

GDV\_0400289.

ST 110 201 1892  
Parts for other finishes can be found here: Chrome



Spare parts list

No.	Item Number	Name	Quantity used	Delivery time
1	90 28 22 226 01-46	spout	1	30
2	90 23 01 028 03-46	aerator	1	30
3	09 30 30 057 90	screw	1	2
4	09 11 10 088 10-46	connection	1	30
5	09 28 10 140-46	ring	1	60
6	04 30 04 019 00 90	hose	2	2
7	09 14 05 047 90	seal	1	2
8	04 30 11 038 00 90	fixing set	1	2
9	09 31 11 011 90	pin	1	2
10	90 20 89 010 10-46	handle	2	30
11	09 20 89 010-46	handle	2	60
12	90 12 12 007 00-46	base	2	30
13	90 30 11 029 00 90	disc	2	2
14	90 30 30 075 00 90	screw	2	2
15	09 21 02 140-46	sleeve	2	60
16	09 27 89 105-46	rosette	2	60
17	90 14 10 043 00 90	seal	2	2
18	90 17 11 040 51 90	side panel	2	2
19	90 23 30 040 00-46	threaded connector	4	-
Spare part can no longer be ordered, please order the replacement item				
20	12 501 970 90	High pressure hose 1/2" x 1/2" x 300 mm -	2	-
Spare part can no longer be ordered, please order the replacement item				
21	04 31 20 046 10 92	set	1	2

**TARA Three-hole mixer with rinsing spray set - Brushed Champagne (22kt Gold)**

TARA

ST 110 201 1892



Fits: ELIO, TARA, TARA ULTRA

- with round rosette
- spray flow
- automatic spout/shower diverter
- height of mixer 191 mm
- hole diameter rinsing spray 32mm
- fabric braided hose 1500 mm
- sprayface with anti-scaling system
- lead-free

Can only be combined with 33826790, 32800790, 33826888, 32815888, 20815892, 33826875.

Intrinsic protection against back flow.

	Brushed Champagne (22kt Gold)	27 721 970-46
	Chrome	27 721 970-00
	Brushed Platinum	27 721 970-06
	Platinum	27 721 970-08
	Durabrand (23kt Gold)	27 721 970-09
	Dark Chrome	27 721 970-19
	Brushed Durabrand (23kt Gold)	27 721 970-28
	Matte Black	27 721 970-33
	Champagne (22kt Gold)	27 721 970-47
	Brushed Chrome	27 721 970-93
	Brushed Dark Platinum	27 721 970-99



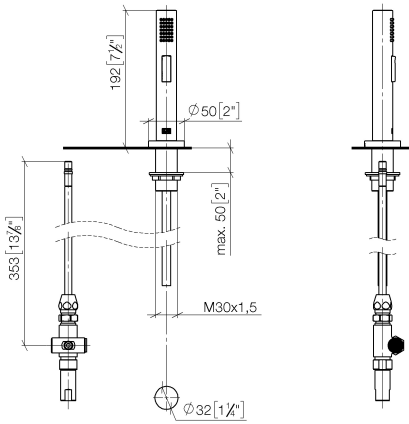
TARA Three-hole mixer with rinsing spray set - Brushed Champagne (22kt Gold)

---

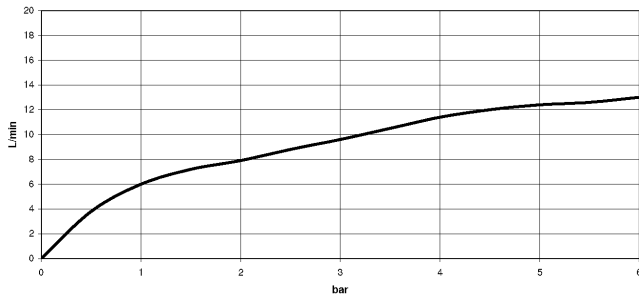
TARA

ST 110 201 1892

ST 110 201 1802  
mm [inches]



**Flow rate chart**



**Certificates**

LGA\_18901.

IAPMO\_N-4976 (2). LGA\_29572.

IAPMO\_6397.



TARA Three-hole mixer with rinsing spray set - Brushed Champagne (22kt Gold)

TARA

ST 110 201 1892  
Parts for other  
finishes can be found  
here: [Chrome](#)

