

ST 110 202 1809

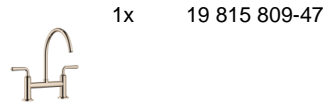
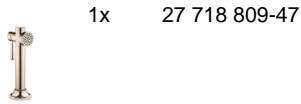


- 241mm projection
- pivotable spout 360°
- air-enriched flow and spray flow
- fabric braided hose 1500 mm
- automatic spout/shower diverter
- sprayface with anti-scaling system
- max. flow 7 l/min at 3 bar flow pressure
- lead-free
- This product can help a building meet the requirements of Green Building Rating Systems, e.g. LEED®, BREEAM®, DGNB

	Champagne (22kt Gold)	ST 110 202 1809-47
	Chrome	ST 110 202 1809-00
	Brushed Platinum	ST 110 202 1809-06
	Platinum	ST 110 202 1809-08
	Durabronze (23kt Gold)	ST 110 202 1809-09
	Dark Chrome	ST 110 202 1809-19
	Brushed Durabronze (23kt Gold)	ST 110 202 1809-28
	Matte Black	ST 110 202 1809-33
	Brushed Champagne (22kt Gold)	ST 110 202 1809-46
	Brushed Chrome	ST 110 202 1809-93
	Brushed Dark Platinum	ST 110 202 1809-99

Individual components of this set

You need the following components for this set





VAIA Two-hole bridge mixer with rinsing spray set - Champagne (22kt Gold)

VAIA

ST 110 202 1809

ST 110 202 1809



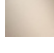
- with round rosette
- spray flow
- automatic spout/shower diverter
- height of mixer 171 mm
- hole diameter rinsing spray 32mm
- fabric braided hose 1500 mm
- sprayface with anti-scaling system
- lead-free
- This product can help a building meet the requirements of Green Building Rating Systems, e.g. LEED®, BREEAM®, DGNB

Can only be combined with 33810809, 33826809, 19815809, 19825809.

Intrinsic protection against back flow.

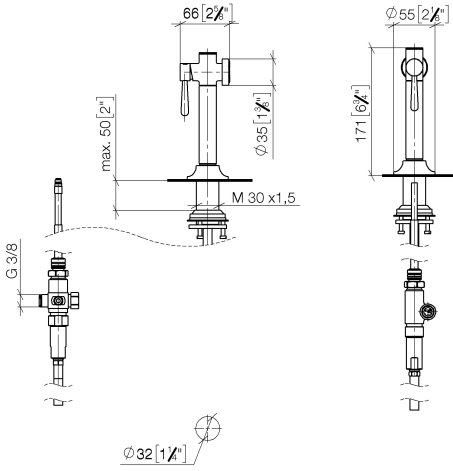
Residual water may emerge from the spray after closing.

Operating unit can be positioned freely.

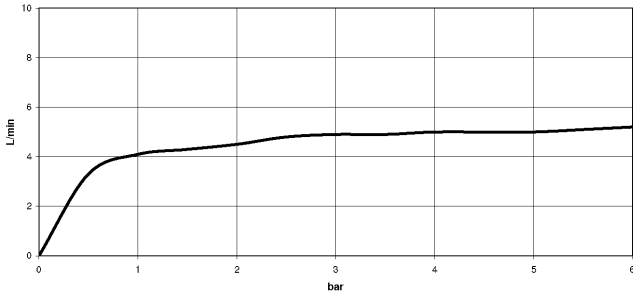
	Champagne (22kt Gold)	27 718 809-47
	Chrome	27 718 809-00
	Brushed Platinum	27 718 809-06
	Platinum	27 718 809-08
	Durabrand (23kt Gold)	27 718 809-09
	Dark Chrome	27 718 809-19
	Brushed Durabrand (23kt Gold)	27 718 809-28
	Matte Black	27 718 809-33
	Brushed Champagne (22kt Gold)	27 718 809-46
	Brushed Chrome	27 718 809-93
	Brushed Dark Platinum	27 718 809-99

ST 110 202 1809

mm [inches]



Flow rate chart

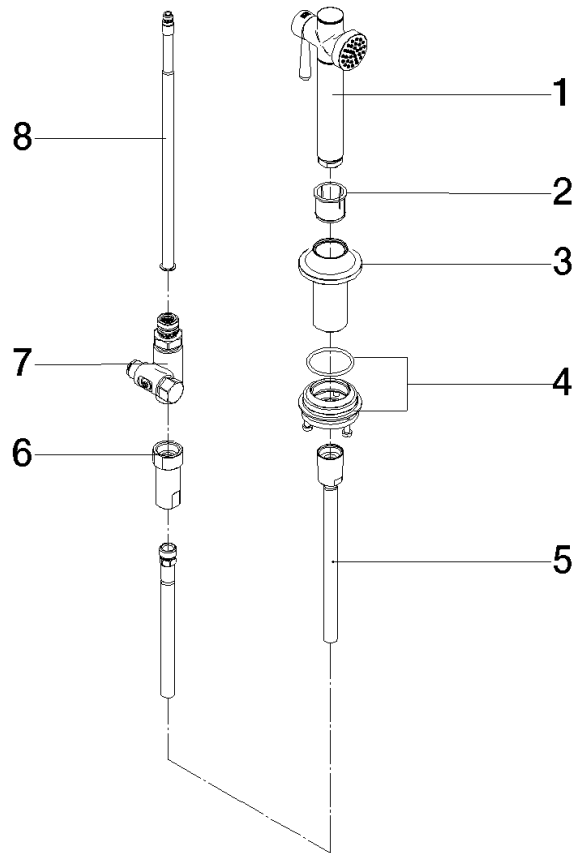


Certificates

LGA_38634.

ST 110 202 1809

Parts for other finishes can be found here: [Chrome](#)



Spare parts list

No.	Item Number	Name	Quantity used	Delivery time
1	90 12 11 096 12-47	shower	1	-
Spare part can no longer be ordered, please order the replacement item				
2	90 18 40 085 00 90	sleeve	1	2
3	90 30 01 142 00-47	shaft	1	-
Spare part can no longer be ordered, please order the replacement item				
4	04 23 10 047 00 92	fixing set	1	60
5	90 30 02 062 00-47	hose	1	-
Spare part can no longer be ordered, please order the replacement item				
6	90 24 03 241 00 90	nipple	1	2
7	90 17 09 046 12 90	diverter	1	2
8	90 28 20 068 00 90	connection	1	2

ST 110 202 1809



- 241mm projection
- pivotable spout 360°
- air-enriched flow
- max. flow 7 l/min at 3 bar flow pressure
- lead-free
- This product can help a building meet the requirements of Green Building Rating Systems, e.g. LEED®, BREEAM®, DGNB

	Champagne (22kt Gold)	19 815 809-47
	Chrome	19 815 809-00
	Brushed Platinum	19 815 809-06
	Platinum	19 815 809-08
	Durabronze (23kt Gold)	19 815 809-09
	Dark Chrome	19 815 809-19
	Brushed Durabronze (23kt Gold)	19 815 809-28
	Matte Black	19 815 809-33
	Brushed Champagne (22kt Gold)	19 815 809-46
	Brushed Chrome	19 815 809-93
	Brushed Dark Platinum	19 815 809-99

Recommended miscellaneous

VAIA Dispenser with rosette - Champagne (22kt Gold) 82 434 809-47





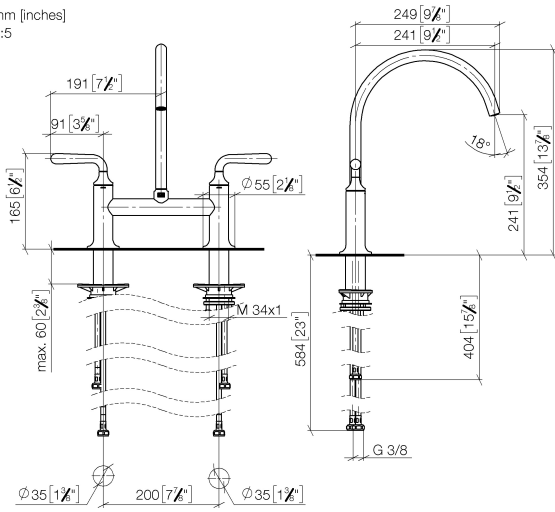
VAIA Two-hole bridge mixer with rinsing spray set - Champagne (22kt Gold)

VAIA

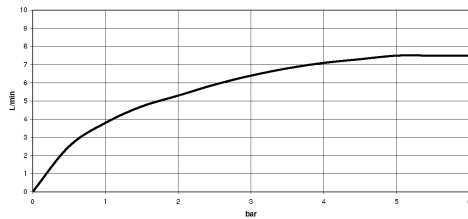
ST 110 202 1809

ST 110 202 1809

mm [inches]
1:5



Flow rate chart

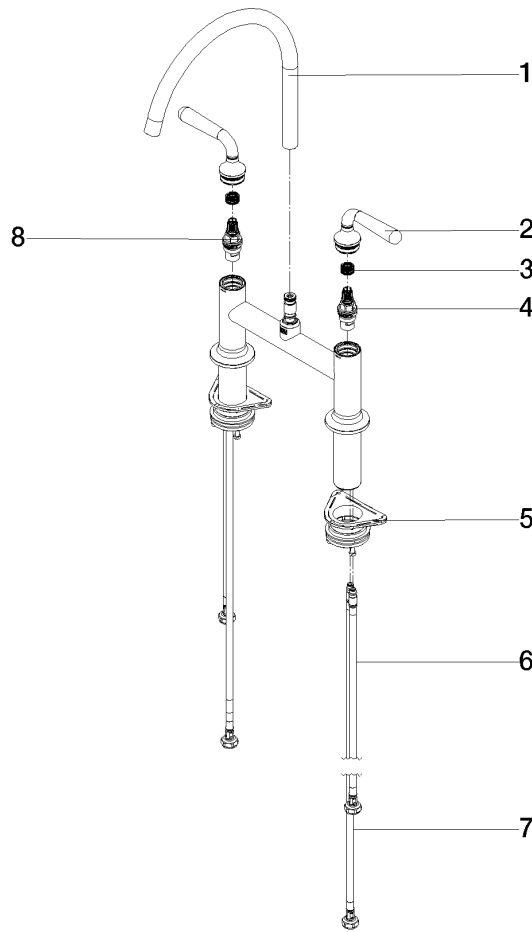


Certificates

LGA_38632.

ST 110 202 1809

Parts for other finishes can be found here: [Chrome](#)



Spare parts list

No.	Item Number	Name	Quantity used	Delivery time
1	90 28 22 396 00-47	spout	1	-
Spare part can no longer be ordered, please order the replacement item				
2	90 20 80 057 00-47	handle	2	-
Spare part can no longer be ordered, please order the replacement item				
3	90 12 12 232 00 90	fixing cap	2	2
4	90 90 03 130 00 90	top	1	2
5	04 30 11 040 00 90	fixing set	2	2
6	04 30 04 100 00 90	hose	2	2
7	04 30 04 101 00 90	hose	2	2
8	90 90 03 131 00 90	top	1	2