












ST 110 202 1809



- 241mm projection
- pivotable spout 360°
- air-enriched flow and spray flow
- fabric braided hose 1500 mm
- automatic spout/shower diverter
- sprayface with anti-scaling system
- max. flow 7 l/min at 3 bar flow pressure
- lead-free
- This product can help a building meet the requirements of Green Building Rating Systems, e.g. LEED®, BREEAM®, DGNB

| | | |
|--|--------------------------------|--------------------|
|  | Brushed Chrome | ST 110 202 1809-93 |
|  | Chrome | ST 110 202 1809-00 |
|  | Brushed Platinum | ST 110 202 1809-06 |
|  | Platinum | ST 110 202 1809-08 |
|  | Durabronze (23kt Gold) | ST 110 202 1809-09 |
|  | Dark Chrome | ST 110 202 1809-19 |
|  | Brushed Durabronze (23kt Gold) | ST 110 202 1809-28 |
|  | Matte Black | ST 110 202 1809-33 |
|  | Brushed Champagne (22kt Gold) | ST 110 202 1809-46 |
|  | Champagne (22kt Gold) | ST 110 202 1809-47 |
|  | Brushed Dark Platinum | ST 110 202 1809-99 |

Individual components of this set

You need the following components for this set



1x 27 718 809-93



1x 19 815 809-93



VAIA Two-hole bridge mixer with rinsing spray set - Brushed Chrome

VAIA

ST 110 202 1809

ST 110 202 1809





- with round rosette
- spray flow
- automatic spout/shower diverter
- height of mixer 171 mm
- hole diameter rinsing spray 32mm
- fabric braided hose 1500 mm
- sprayface with anti-scaling system
- lead-free
- This product can help a building meet the requirements of Green Building Rating Systems, e.g. LEED®, BREEAM®, DGNB

Can only be combined with 33810809, 33826809, 19815809, 19825809.

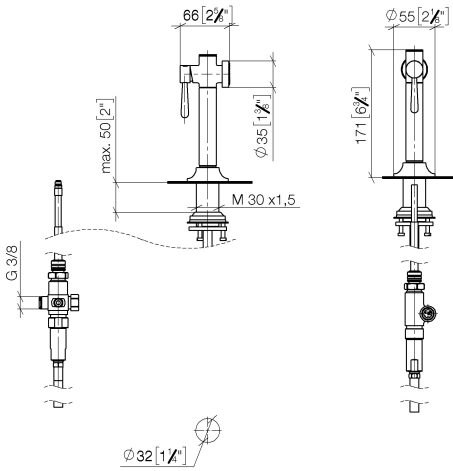
Intrinsic protection against back flow.

Residual water may emerge from the spray after closing.

| | | |
|--|-------------------------------|---------------|
|  | Brushed Chrome | 27 718 809-93 |
|  | Chrome | 27 718 809-00 |
|  | Brushed Platinum | 27 718 809-06 |
|  | Platinum | 27 718 809-08 |
|  | Durabrand (23kt Gold) | 27 718 809-09 |
|  | Dark Chrome | 27 718 809-19 |
|  | Brushed Durabrand (23kt Gold) | 27 718 809-28 |
|  | Matte Black | 27 718 809-33 |
|  | Brushed Champagne (22kt Gold) | 27 718 809-46 |
|  | Champagne (22kt Gold) | 27 718 809-47 |
|  | Brushed Dark Platinum | 27 718 809-99 |

ST 110 202 1809

mm [inches]



Flow rate chart



Certificates

LGA_38634.

ST 110 202 1809

Parts for other finishes can be found here: [Chrome](#)



Spare parts list

| No. | Item Number | Name | Quantity used | Delivery time |
|--|--------------------|------------|---------------|---------------|
| 1 | 90 12 11 096 12-93 | shower | 1 | - |
| Spare part can no longer be ordered, please order the replacement item | | | | |
| 2 | 90 18 40 085 00 90 | sleeve | 1 | 2 |
| 3 | 90 30 01 142 00-93 | shaft | 1 | - |
| Spare part can no longer be ordered, please order the replacement item | | | | |
| 4 | 04 23 10 047 00 92 | fixing set | 1 | 60 |
| 5 | 90 30 02 062 00-93 | hose | 1 | 20 |
| 6 | 90 24 03 241 00 90 | nipple | 1 | 2 |
| 7 | 90 17 09 046 12 90 | diverter | 1 | 2 |
| 8 | 90 28 20 068 00 90 | connection | 1 | 2 |

ST 110 202 1809



- 241mm projection
- pivotable spout 360°
- air-enriched flow
- max. flow 7 l/min at 3 bar flow pressure
- lead-free
- This product can help a building meet the requirements of Green Building Rating Systems, e.g. LEED®, BREEAM®, DGNB

| | | |
|--|-------------------------------|---------------|
|  | Brushed Chrome | 19 815 809-93 |
|  | Chrome | 19 815 809-00 |
|  | Brushed Platinum | 19 815 809-06 |
|  | Platinum | 19 815 809-08 |
|  | Durabrand (23kt Gold) | 19 815 809-09 |
|  | Dark Chrome | 19 815 809-19 |
|  | Brushed Durabrand (23kt Gold) | 19 815 809-28 |
|  | Matte Black | 19 815 809-33 |
|  | Brushed Champagne (22kt Gold) | 19 815 809-46 |
|  | Champagne (22kt Gold) | 19 815 809-47 |
|  | Brushed Dark Platinum | 19 815 809-99 |

Recommended miscellaneous

**VAIA Dispenser with rosette -
Brushed Chrome** 82 434 809-93





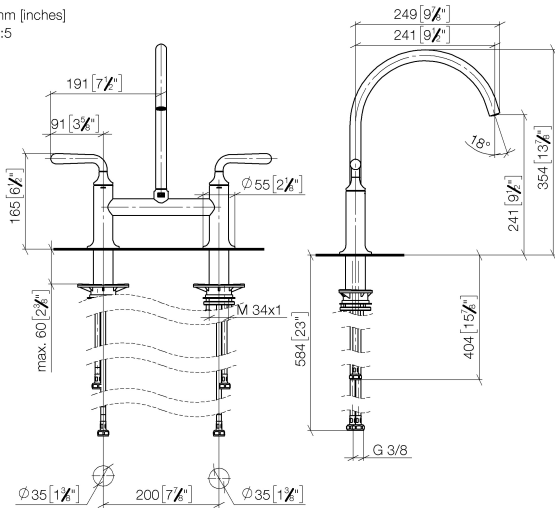
VAIA Two-hole bridge mixer with rinsing spray set - Brushed Chrome

VAIA

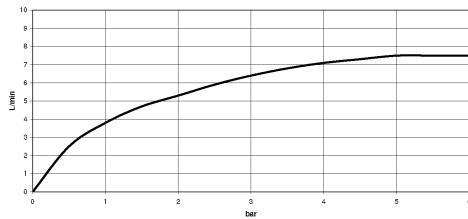
ST 110 202 1809

ST 110 202 1809

mm [inches]
1:5



Flow rate chart

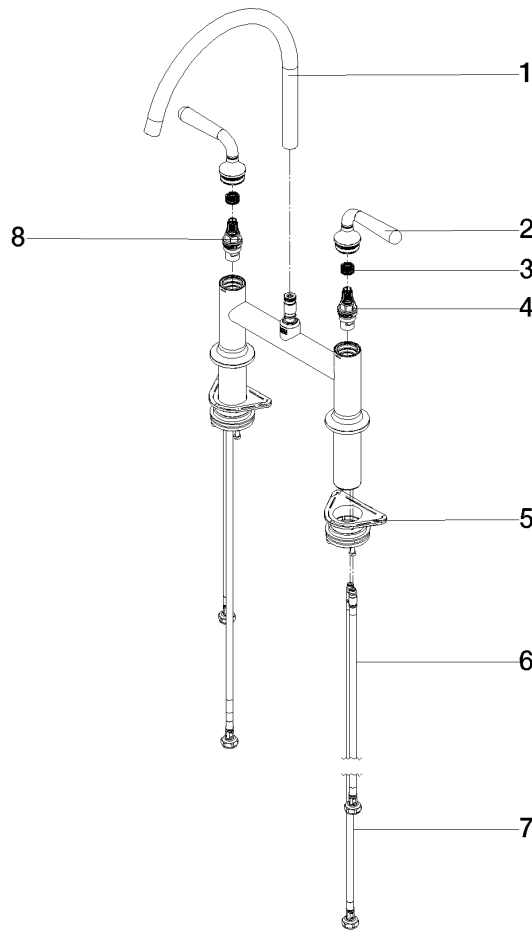


Certificates

LGA_38632.

ST 110 202 1809

Parts for other finishes can be found here: [Chrome](#)



Spare parts list

| No. | Item Number | Name | Quantity used | Delivery time |
|--|--------------------|------------|---------------|---------------|
| 1 | 90 28 22 396 00-93 | spout | 1 | - |
| Spare part can no longer be ordered, please order the replacement item | | | | |
| 2 | 90 20 80 057 00-93 | handle | 2 | - |
| Spare part can no longer be ordered, please order the replacement item | | | | |
| 3 | 90 12 12 232 00 90 | fixing cap | 2 | 2 |
| 4 | 90 90 03 130 00 90 | top | 1 | 2 |
| 5 | 04 30 11 040 00 90 | fixing set | 2 | 2 |
| 6 | 04 30 04 100 00 90 | hose | 2 | 2 |
| 7 | 04 30 04 101 00 90 | hose | 2 | 2 |
| 8 | 90 90 03 131 00 90 | top | 1 | 2 |