

ST 110 202 6809



- 241mm projection
- pivotable spout 360°
- air-enriched flow and spray flow
- fabric braided hose 1500 mm
- automatic spout/shower diverter
- sprayface with anti-scaling system
- max. flow 7 l/min at 3 bar flow pressure
- lead-free
- This product can help a building meet the requirements of Green Building Rating Systems, e.g. LEED®, BREEAM®, DGNB

	Platinum	ST 110 202 6809-08
	Chrome	ST 110 202 6809-00
	Brushed Platinum	ST 110 202 6809-06
	Durabronze (23kt Gold)	ST 110 202 6809-09
	Dark Chrome	ST 110 202 6809-19
	Brushed Durabronze (23kt Gold)	ST 110 202 6809-28
	Matte Black	ST 110 202 6809-33
	Brushed Champagne (22kt Gold)	ST 110 202 6809-46
	Champagne (22kt Gold)	ST 110 202 6809-47
	Brushed Chrome	ST 110 202 6809-93
	Brushed Dark Platinum	ST 110 202 6809-99

Individual components of this set

You need the following components for this set



1x 19 815 809-08



1x 27 731 809-08



VAIA Two-hole bridge mixer with rinsing spray set - Platinum

VAIA

ST 110 202 6809

ST 110 202 6809



- 241mm projection
- pivotable spout 360°
- air-enriched flow
- max. flow 7 l/min at 3 bar flow pressure
- lead-free
- This product can help a building meet the requirements of Green Building Rating Systems, e.g. LEED®, BREEAM®, DGNB

	Platinum	19 815 809-08
	Chrome	19 815 809-00
	Brushed Platinum	19 815 809-06
	Durabronze (23kt Gold)	19 815 809-09
	Dark Chrome	19 815 809-19
	Brushed Durabronze (23kt Gold)	19 815 809-28
	Matte Black	19 815 809-33
	Brushed Champagne (22kt Gold)	19 815 809-46
	Champagne (22kt Gold)	19 815 809-47
	Brushed Chrome	19 815 809-93
	Brushed Dark Platinum	19 815 809-99

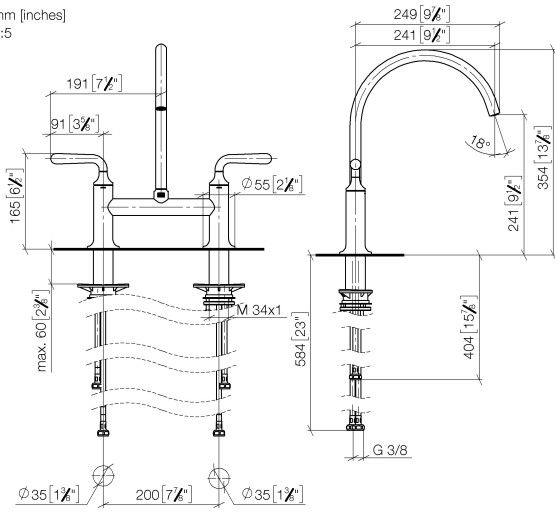
Recommended miscellaneous

VAIA Dispenser with rosette - Platinum 82 434 809-08

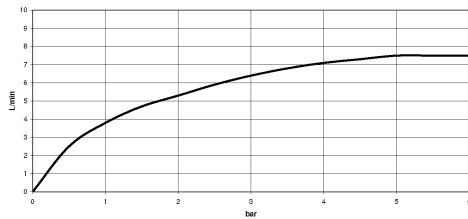


ST 110 202 6809

mm [inches]
1:5



Flow rate chart

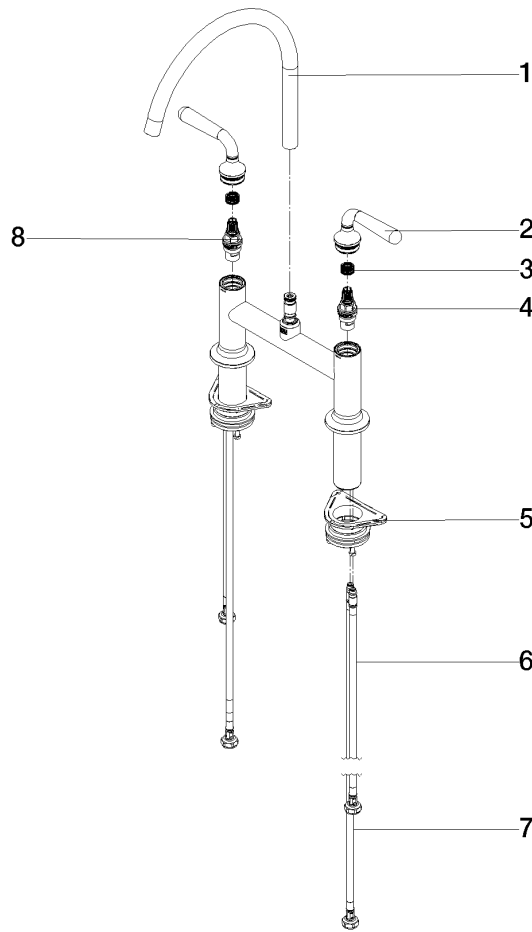


Certificates

LGA_38632.

ST 110 202 6809

Parts for other finishes can be found here: [Chrome](#)



Spare parts list

No.	Item Number	Name	Quantity used	Delivery time
1	90 28 22 396 00-08	spout	1	-
Spare part can no longer be ordered, please order the replacement item				
2	90 20 80 057 00-08	handle	2	-
Spare part can no longer be ordered, please order the replacement item				
3	90 12 12 232 00 90	fixing cap	2	2
4	90 90 03 130 00 90	top	1	2
5	04 30 11 040 00 90	fixing set	2	2
6	04 30 04 100 00 90	hose	2	2
7	04 30 04 101 00 90	hose	2	2
8	90 90 03 131 00 90	top	1	2

ST 110 202 6809



- with round rosette
- spray flow
- automatic spout/shower diverter
- height of mixer 202 mm
- hole diameter rinsing spray 32mm
- fabric braided hose 1500 mm
- sprayface with anti-scaling system
- lead-free

Can only be combined with 33810809, 33826809, 19815809, 19825809.

Intrinsic protection against back flow.

	Platinum	27 731 809-08
	Chrome	27 731 809-00
	Brushed Platinum	27 731 809-06
	Durabross (23kt Gold)	27 731 809-09
	Dark Chrome	27 731 809-19
	Brushed Durabross (23kt Gold)	27 731 809-28
	Matte Black	27 731 809-33
	Brushed Champagne (22kt Gold)	27 731 809-46
	Champagne (22kt Gold)	27 731 809-47
	Brushed Chrome	27 731 809-93
	Brushed Dark Platinum	27 731 809-99



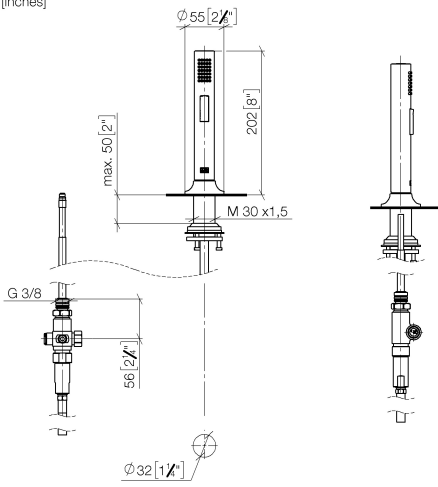
VAIA Two-hole bridge mixer with rinsing spray set - Platinum

VAIA

ST 110 202 6809

ST 110 202 6809

mm [inches]



Certificates

Belgaqua_24-005-
27_3.



VAIA Two-hole bridge mixer with rinsing spray set - Platinum

VAIA

ST 110 202 6809



VAIA Two-hole bridge mixer with rinsing spray set - Platinum

VAIA

ST 110 202 6809



VAIA Two-hole bridge mixer with rinsing spray set - Platinum

VAIA

ST 110 202 6809