

META Bath spout for wall mounting - Chrome

13 801 660 Product version from 5/28/2021



- 200mm projection
- circular normal flow
- rosette Ø 60 mm
- hole diameter 37 mm
- 1/2" connection
- max. flow 24.6 l/min at 3 bar flow pressure
- WRAS

	Chrome	13 801 660-00
	Brushed Platinum	13 801 660-06
	Dark Chrome	13 801 660-19
	Light Gold	13 801 660-26
	Brushed Light Gold	13 801 660-27
	Matte Black	13 801 660-33
	Brushed Bronze	13 801 660-42
	Brushed Champagne (22kt Gold)	13 801 660-46
	Champagne (22kt Gold)	13 801 660-47
	Brushed Chrome	13 801 660-93
	Brushed Dark Platinum	13 801 660-99

Recommended miscellaneous



- Concealed wall elbow -**
- max. recess depth mm
 - min. recess depth mm

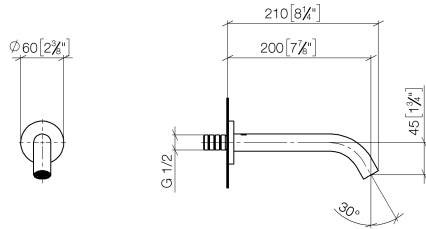
35 085 970 90



META Bath spout for wall mounting - Chrome

13 801 660 Product version from 5/28/2021

mm [inches]



Flow rate chart



Codes & Standards

ASME A112.18.1

cUPC

DIN 4109

ISO 3822

Scottish Water
Byelaws

UK Water Supply
Regulations

Ü-Zeichen



META Bath spout for wall mounting - Chrome

13 801 660 Product version from 5/28/2021

Certificates

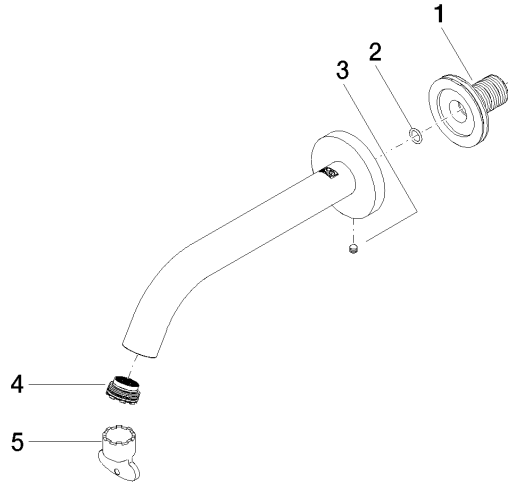
IAPMO_4976

WRAS_2001

LGA_18

META Bath spout for wall mounting - Chrome

13 801 660 Product version from 5/28/2021



Spare parts list

No.	Item Number	Name	Quantity used	Delivery time
1	90 24 03 280 00 90	nipple	1	2
2	90 14 10 060 00 90	seal	1	2
3	90 31 11 112 00 90	pin	1	2
4	09 29 03 124 90	aerator	1	2
5	04 30 09 024 00 90	key	1	2