

17 861 680



- 145mm projection
- rigid, thermally insulated spout
- laminar flow
- height of mixer 233 mm
- height up to laminar flow regulator 213 mm
- hole diameter 35 mm
- provides filtered, hot water up to 93°C
- provides filtered, cold water
- max. flow 2 l/min at 3 bar flow pressure
- ready-to-use control unit for wall mounting (137mm x 159mm x 60mm)
- electronic magnetic valve
- 100-230 V, 50-60 Hz, 18 W power supply unit, incl. country-specific adapter set
- lead-free
- Spout ring cannot be removed.

• This product can help a building meet the requirements of Green Building Rating Systems, e.g. LEED®, BREEAM®, DGNB

**A minimum flow pressure of 3 bar is necessary for the HOT & COLD WATER DISPENSER to work perfectly in conjunction with a hot water tank and filter.**

**In addition, the installation must be above a kitchen sink.**

**The filter cartridge must be changed every six months. The installation instructions contain further information for guidance.**

**Detailed planning information and technical data can be found at**

**[www.dornbracht.com/professional](http://www.dornbracht.com/professional)**

A minimum flow pressure of 3 bar is necessary for the HOT & COLD WATER DISPENSER to work perfectly in conjunction with a hot water tank and filter.

In addition, the installation must be above a kitchen sink.

The filter cartridge must be changed every six months. The installation instructions contain further information for guidance.

Detailed planning information and technical data can be found at [www.dornbracht.com/professional](http://www.dornbracht.com/professional)

|  |                               |               |
|--|-------------------------------|---------------|
|  | Champagne (22kt Gold)         | 17 861 680-47 |
|  | Chrome                        | 17 861 680-00 |
|  | Brushed Platinum              | 17 861 680-06 |
|  | Platinum                      | 17 861 680-08 |
|  | Dark Chrome                   | 17 861 680-19 |
|  | Brushed Durabross (23kt Gold) | 17 861 680-28 |
|  | Brushed Champagne (22kt Gold) | 17 861 680-46 |
|  | Brushed Dark Platinum         | 17 861 680-99 |

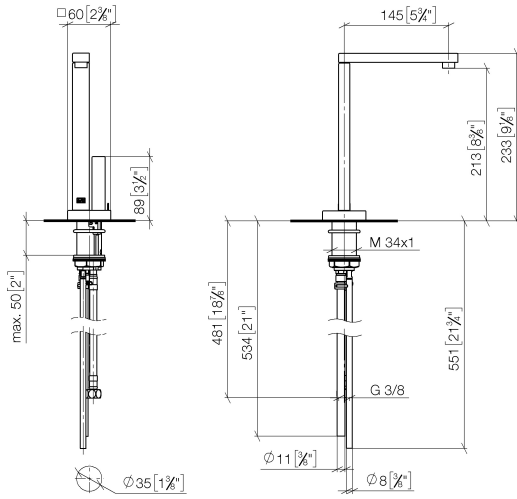
Required miscellaneous



Hot water tank incl. filter - 12 892 970 90

17 861 680

mm [inches]



**Flow rate chart**



**Certificates**

IAPMO\_N-4976. IAPMO\_6397.

17 861 680

