

17 861 875



- 146mm projection
- rigid, thermally insulated spout
- laminar flow
- height of mixer 288 mm
- height up to laminar flow regulator 180 mm
- hole diameter 35 mm
- provides filtered, hot water up to 93°C
- provides filtered, cold water
- max. flow 2 l/min at 3 bar flow pressure
- ready-to-use control unit for wall mounting (137mm x 159mm x 60mm)
- electronic magnetic valve
- 100-230 V, 50-60 Hz, 18 W power supply unit, incl. country-specific adapter set
- lead-free
- Spout ring cannot be removed.
- This product can help a building meet the requirements of Green Building Rating Systems, e.g. LEED®, BREEAM®, DGNB

A minimum flow pressure of 3 bar is necessary for the HOT & COLD WATER DISPENSER to work perfectly in conjunction with a hot water tank and filter.

In addition, the installation must be above a kitchen sink.

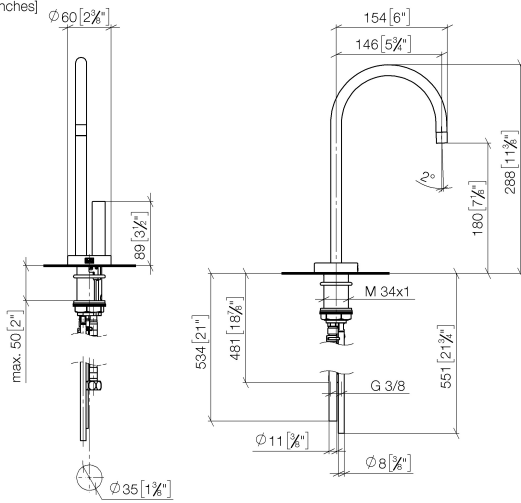
The filter cartridge must be changed every six months. The installation instructions contain further information for guidance.

Detailed planning information and technical data can be found at www.dornbracht.com/professional

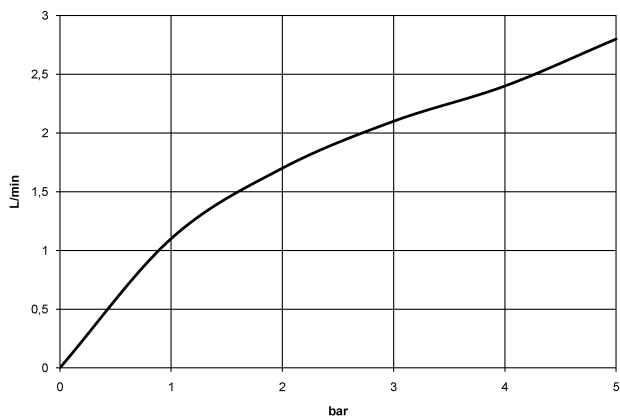
| | | |
|---|-------------------------------|---------------|
|  | Brushed Champagne (22kt Gold) | 17 861 875-46 |
|  | Chrome | 17 861 875-00 |
|  | Brushed Platinum | 17 861 875-06 |
|  | Platinum | 17 861 875-08 |
|  | Durabress (23kt Gold) | 17 861 875-09 |
|  | Dark Chrome | 17 861 875-19 |
|  | Brushed Durabress (23kt Gold) | 17 861 875-28 |
|  | Matte Black | 17 861 875-33 |
|  | Champagne (22kt Gold) | 17 861 875-47 |
|  | Brushed Chrome | 17 861 875-93 |
|  | Brushed Dark Platinum | 17 861 875-99 |

17 861 875

mm [inches]



Flow rate chart



Certificates

IAPMO_N-4976.

GDV_0400297.

IAPMO_6397.

17 861 875
Parts for other
finishes can be found
here: [Chrome](#)

