

20 705 819



- 165mm projection
- pivotable spout 360°
- circular, air-enriched flow
- height of mixer 144 mm
- height up to aerator 90 mm
- hole diameter valve 32 mm
- hole diameter spout 35 mm
- rosette Ø 60 mm
- max. flow 5.7 l/min
- lead-free
- This product can help a building meet the requirements of Green Building Rating Systems, e.g. LEED®, BREEAM®, DGNB
- WRAS 2312068

Only suitable for basins with an overflow.

| | | |
|---|--------------------------------|---------------|
|  | Platinum | 20 705 819-08 |
|  | Chrome | 20 705 819-00 |
|  | Brushed Platinum | 20 705 819-06 |
|  | Dark Chrome | 20 705 819-19 |
|  | Brushed Durabronze (23kt Gold) | 20 705 819-28 |
|  | Brushed Bronze | 20 705 819-42 |
|  | Brushed Champagne (22kt Gold) | 20 705 819-46 |
|  | Champagne (22kt Gold) | 20 705 819-47 |
|  | Brushed Dark Platinum | 20 705 819-99 |

Recommended miscellaneous

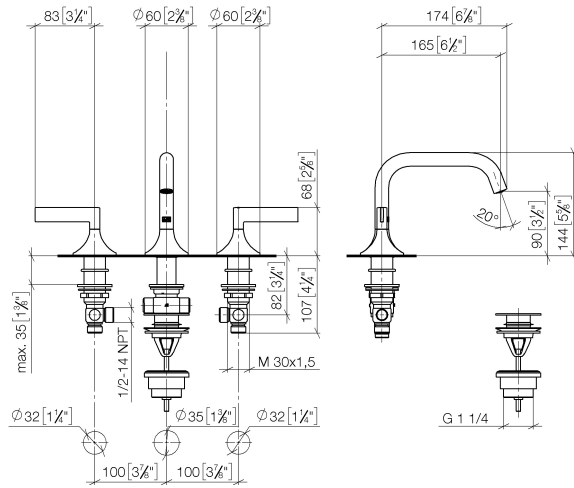


High pressure hoses -
 • 2x 3/8" x 1/2" x 500mm high pressure hose

12 506 970 90

20 705 819

mm [inches]



Flow rate chart



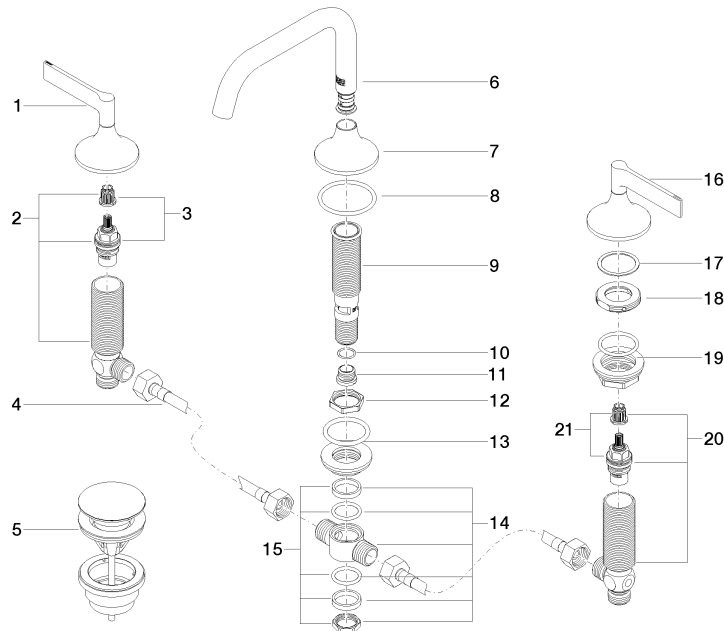
Certificates

GDV_0400287.

LGA_38417.

WRAS_2312068.

20 705 819



Spare parts list

| No. | Item Number | Name | Quantity used | Delivery time |
|-----|--------------------|---|---------------|---------------|
| 1 | 90 20 80 013 00-08 | handle (hot) | 1 | 40 |
| 2 | 04 17 11 055 51 90 | side panel | 1 | 2 |
| 3 | 90 90 03 151 00 90 | top | 1 | 2 |
| 4 | 04 30 04 096 00 90 | hose | 2 | 2 |
| 5 | 10 125 970-08 | Basin Waste with push fastening 1 1/4" - Platinum | 1 | 40 |
| 6 | 90 28 22 368 00-08 | spout | 1 | 40 |
| 7 | 09 27 80 011-08 | rosette | 1 | 40 |
| 8 | 09 14 10 084 90 | seal | 1 | 2 |
| 9 | 90 30 01 033 00 90 | base | 1 | 2 |
| 10 | 09 14 10 017 90 | seal | 1 | 2 |
| 11 | 09 24 04 021 10 90 | nipple | 1 | 2 |
| 12 | 09 23 10 127 90 | nut | 1 | 2 |
| 13 | 04 23 10 004 04 90 | fixing set | 1 | 2 |
| 14 | 90 17 11 020 10 90 | distributor | 1 | 2 |
| 15 | 90 23 10 012 00 90 | gasket kit | 1 | 2 |
| 16 | 90 20 80 012 00-08 | handle (cold) | 1 | 40 |
| 17 | 09 28 10 003 90 | ring | 2 | 2 |
| 18 | 09 24 01 028 90 | ring | 2 | 2 |
| 19 | 04 23 10 032 78 90 | fixing set | 2 | 2 |
| 20 | 04 17 11 055 50 90 | side panel | 1 | 2 |
| 21 | 90 90 03 150 00 90 | top | 1 | 2 |