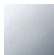








20 713 811

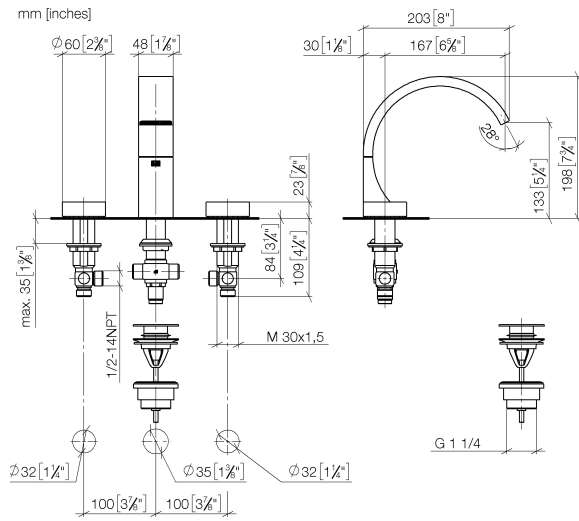


- 167mm projection
- fixed spout
- rectangular, air-enriched flow
- height of mixer 198 mm
- height up to aerator 133 mm
- hole diameter spout 35 mm
- hole diameter valve 32 mm
- handle Ø 60mm
- max. flow 4.5 l/min
- lead-free
- This product can help a building meet the requirements of Green Building Rating Systems, e.g. LEED®, BREEAM®, DGNB

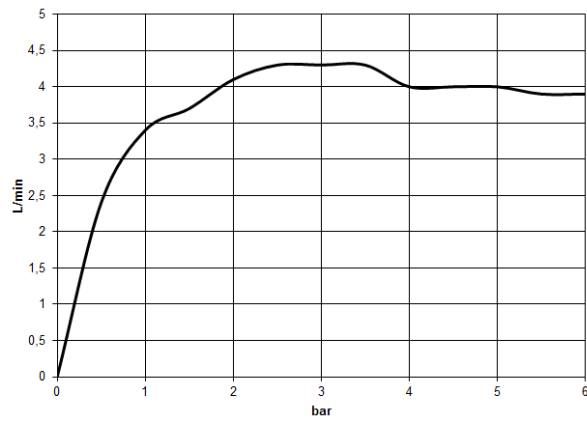
NOTE: The handle inserts must be ordered separately from the fittings!

	Chrome	20 713 811-00
	Brushed Platinum	20 713 811-06
	Dark Chrome	20 713 811-19
	Brushed Durabronze (23kt Gold)	20 713 811-28
	Platinum / Brushed Platinum	20 713 811-36
	Durabronze / Brushed Durabronze (23kt Gold)	20 713 811-38
	Brushed Dark Platinum	20 713 811-99

20 713 811



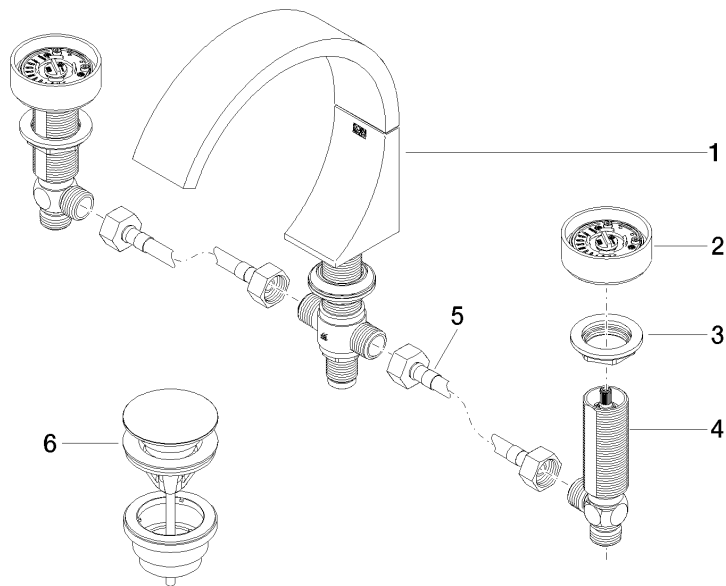
Flow rate chart



Certificates

WRAS_2111022. LGA_38118.

20 713 811



Spare parts list

No.	Item Number	Name	Quantity used	Delivery time
1	13 717 811-00	CYO Deck-mounted basin spout without pop-up waste - Chrome	1	10
2	90 18 40 290 00-00	handle	2	10
3	04 30 11 038 67 90	fixing set	2	2
4	04 17 11 055 61 90	side panel	2	2
5	04 30 04 096 00 90	hose	2	2
6	10 125 970-00	Basin Waste with push fastening 1 1/4" - Chrome	1	2