

## VAIA Three-hole basin mixer with pop-up waste - Brushed Champagne (22kt Gold)

20 713 819 Product version from 3/13/2017



- 168mm projection
- pivotable spout 360°
- circular, air-enriched flow
- height of mixer 280 mm
- height up to aerator 191 mm
- hole diameter valve 32 mm
- hole diameter spout 35 mm
- rosette Ø 60 mm
- max. flow 5.7 l/min
- lead-free
- This product can help a building meet the requirements of Green Building Rating Systems, e.g. LEED®, BREEAM®, DGNB
- WRAS

Only suitable for basins with an overflow.

	Brushed Champagne (22kt Gold)	20 713 819-46
	Chrome	20 713 819-00
	Brushed Platinum	20 713 819-06
	Platinum	20 713 819-08
	Dark Chrome	20 713 819-19
	Brushed Durabronze (23kt Gold)	20 713 819-28
	Brushed Bronze	20 713 819-42
	Champagne (22kt Gold)	20 713 819-47
	Brushed Dark Platinum	20 713 819-99

### Recommended miscellaneous

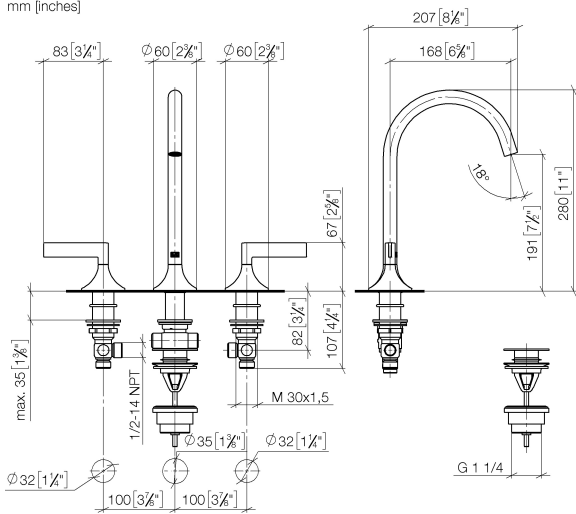


**High pressure hoses -**  
• 2x 3/8" x 1/2" x 500mm high pressure hose

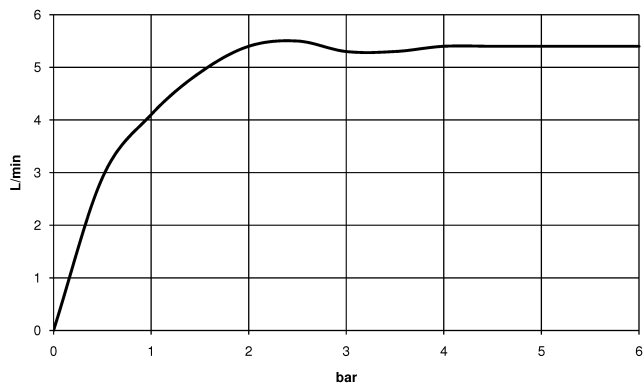
12 506 970 90

**VAIA Three-hole basin mixer with pop-up waste - Brushed Champagne (22kt Gold)**

20 713 819 Product version from 3/13/2017  
mm [inches]



**Flow rate chart**



**Codes & Standards**

DIN 4109

Executive Order  
no. 1007

ISO 3822

Scottish Water  
Byelaws

UK Water Supply  
Regulations

Ü-Zeichen



## VAIA Three-hole basin mixer with pop-up waste - Brushed Champagne (22kt Gold)

---

20 713 819 Product version from 3/13/2017

### Certificates

---

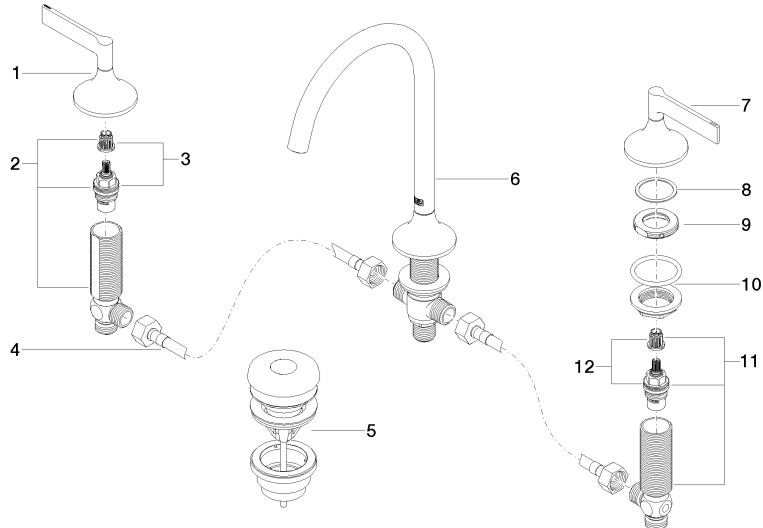
LGA\_29

GDV\_0400

WRAS\_2312

**VAIA Three-hole basin mixer with pop-up waste - Brushed Champagne (22kt Gold)**

20 713 819 Product version from 3/13/2017



**Spare parts list**

No.	Item Number	Name	Quantity used	Delivery time
1	90 20 80 013 00-46	handle ( hot )	1	30
2	04 17 11 055 51 90	side panel	1	2
3	90 90 03 151 00 90	top	1	2
4	04 30 04 096 00 90	hose	1	2
5	10 125 970-46	Basin Waste with push fastening 1 1/4" - Brushed Champagne (22kt Gold)	1	30
6	13 716 809-46	VAIA Deck-mounted basin spout without pop-up waste - Brushed Champagne (22kt Gold)	1	30
7	90 20 80 012 00-46	handle ( cold )	1	30
8	09 28 10 003 90	ring	2	2
9	09 24 01 028 90	ring	2	2
10	04 23 10 032 46 90	fixing set	2	2
11	04 17 11 055 50 90	side panel	1	2
12	90 90 03 150 00 90	top	1	2