

20 713 882



- 165mm projection
- pivotable spout 360°
- circular, air-enriched flow
- height of mixer 285 mm
- height up to aerator 163 mm
- hole diameter valve 32 mm
- hole diameter spout 35 mm
- rosette Ø 55 mm
- 2x screw-in M 10 x 1 pressure hose, leak-tested
- max. flow 7 l/min
- lead-free
- WRAS 1703013
- This product can help a building meet the requirements of Green Building Rating Systems, e.g. LEED®, BREEAM®, DGNB

Only suitable for basins with an overflow.

|   |                                |               |
|---|--------------------------------|---------------|
|  | Dark Chrome                    | 20 713 882-19 |
|  | Chrome                         | 20 713 882-00 |
|  | Brushed Platinum               | 20 713 882-06 |
|  | Platinum                       | 20 713 882-08 |
|  | Brushed Durabronze (23kt Gold) | 20 713 882-28 |
|  | Matte Black                    | 20 713 882-33 |
|  | Brushed Champagne (22kt Gold)  | 20 713 882-46 |
|  | Champagne (22kt Gold)          | 20 713 882-47 |
|  | Brushed Chrome                 | 20 713 882-93 |
|  | Brushed Dark Platinum          | 20 713 882-99 |

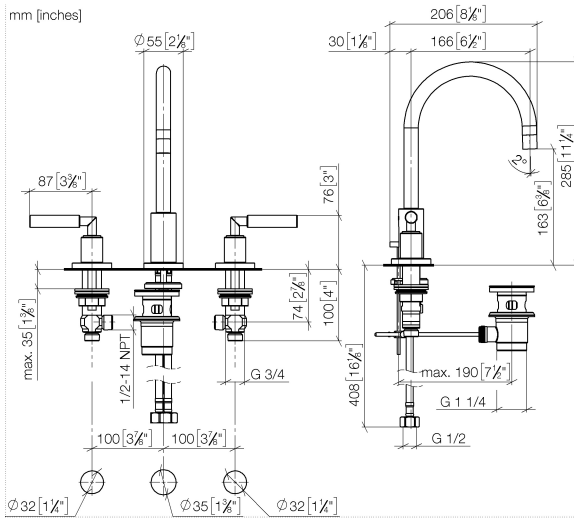
Recommended miscellaneous



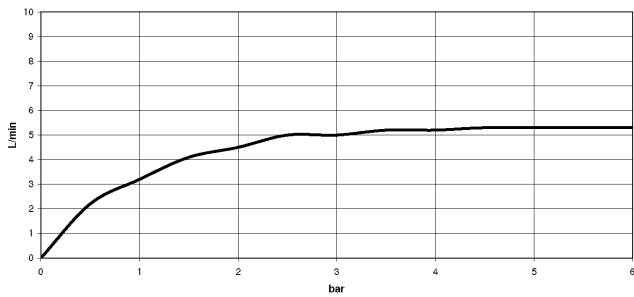
**High pressure hoses -**  
• 2x 3/8" x 1/2" x 500mm high pressure hose

12 506 970 90

20 713 882



**Flow rate chart**



**Certificates**

WRAS\_2212026.      GDV\_0400289.

20 713 882

