

TARA Three-hole mixer - Brushed Chrome

20 815 892 Product version from 6/30/2009



- 235mm projection
- pivotable spout 360°
- air-enriched flow
- height of mixer 370 mm
- height up to aerator 212 mm
- hole diameter spout 35 mm
- hole diameter valve 32 mm
- max. flow 7 l/min at 3 bar flow pressure
- lead-free
- This product can help a building meet the requirements of Green Building Rating Systems, e.g. LEED®, BREEAM®, DGNB
- WRAS

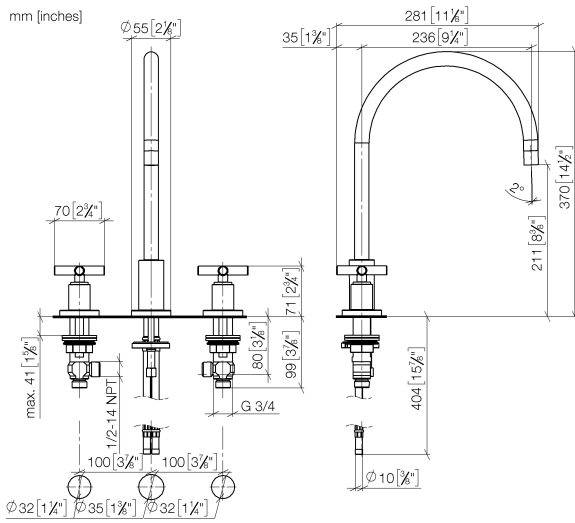
Recommended miscellaneous

Strainer waste with control handle 10 710 970-93
- Brushed Chrome

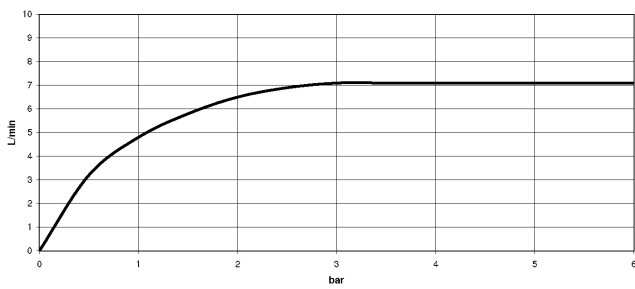


TARA Three-hole mixer - Brushed Chrome

20 815 892 Product version from 6/30/2009



Flow rate chart



Codes & Standards

Executive Order
no. 1007



TARA Three-hole mixer - Brushed Chrome

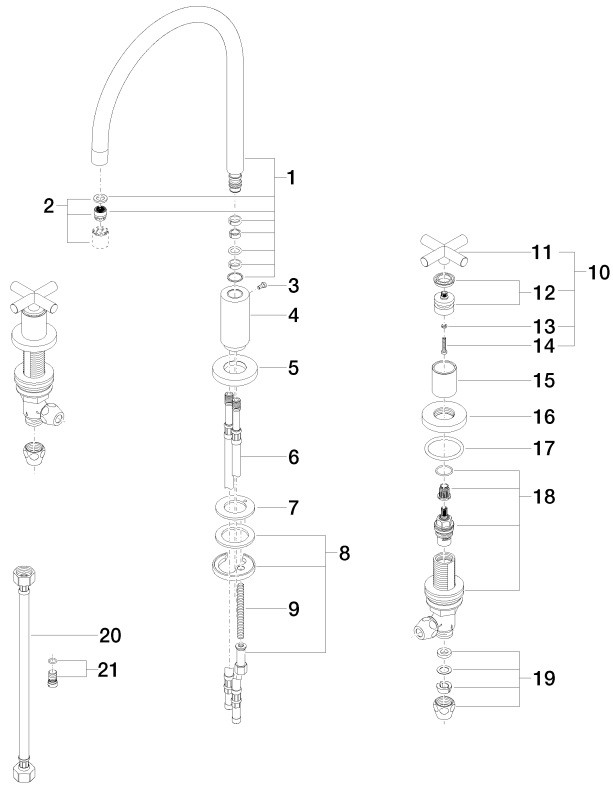
20 815 892 Product version from 6/30/2009

Certificates

GDV_0400

TARA Three-hole mixer - Brushed Chrome

20 815 892 Product version from 6/30/2009





TARA Three-hole mixer - Brushed Chrome

20 815 892 Product version from 6/30/2009

Spare parts list

No.	Item Number	Name	Quantity used	Delivery time
1	90 28 22 226 01-93	spout	1	20
2	90 23 01 028 03-93	aerator	1	20
3	09 30 30 057 90	screw	1	2
4	09 11 10 088 10-93	connection	1	60
5	09 28 10 140-93	ring	1	60
6	04 30 04 019 00 90	hose	2	2
7	09 14 05 047 90	seal	1	2
8	04 30 11 038 00 90	fixing set	1	2
9	09 31 11 011 90	pin	1	2
10	90 20 89 010 10-93	handle	2	20
11	09 20 89 010-93	handle	2	60
12	90 12 12 007 00-93	base	2	20
13	90 30 11 029 00 90	disc	2	2
14	90 30 30 075 00 90	screw	2	2
15	09 21 02 140-93	sleeve	2	20
16	09 27 89 105-93	rosette	2	20
17	90 14 10 043 00 90	seal	2	2
18	90 17 11 040 51 90	side panel	2	2
19	90 23 30 040 00-93	threaded connector	4	20
20	12 501 970 90	High pressure hose 1/2" x 1/2" x 300 mm -	2	-
Spare part can no longer be ordered, please order the replacement item				
21	04 31 20 046 10 92	set	1	2