

# LULU Three-hole single-lever bath mixer for bath rim or tile edge installation - Chrome

LULU

27 412 710



- spout: circular, air-enriched flow
- max. flow 26.4 l/min at 3 bar flow pressure
- Hand shower: COMPACT RAIN, max. flow rate 6.8 l/min (at 3 bar)
- complete hand shower set with anti-scale system
- automatic bath/shower diverter
- height of mixer 110 mm
- height up to aerator 84 mm
- 215mm projection
- hole diameter spout 32 mm
- hole diameter single-lever mixer 35 mm
- hole diameter for complete hand shower set 32 mm
- rosette for spout 63 x 63mm
- rosette for complete hand shower set 63 x 63mm
- rosette for single-lever mixer 52 x 52mm
- metal shower hose 1750mm with integrated anti-twist protection

Intrinsic protection against back flow.

	Chrome	27 412 710-00
	Brushed Platinum	27 412 710-06

## Recommended miscellaneous



**Perfecto installation kit -** 12 614 970 90

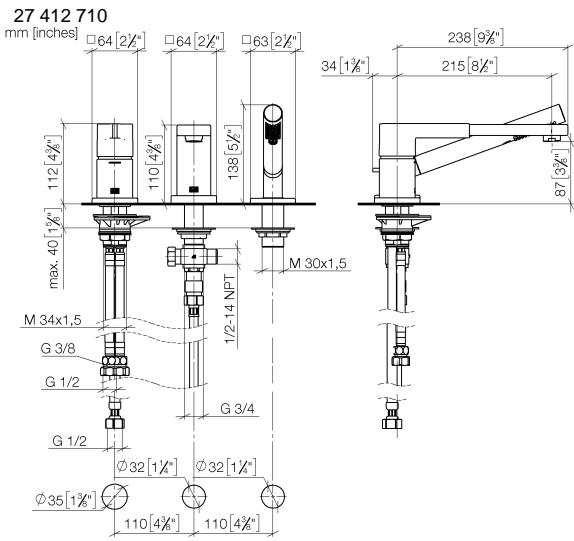
## Recommended miscellaneous



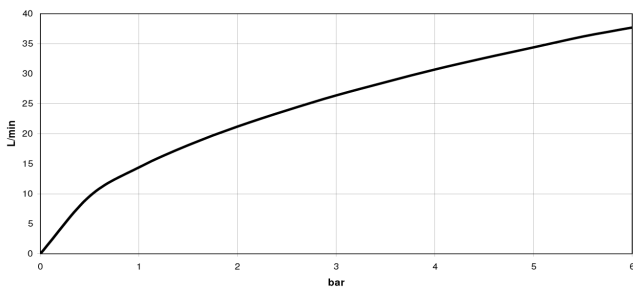
**Decorative caps for Perfecto - Chrome** 12 801 970-00  
● 1 pair

**LULU Three-hole single-lever bath mixer for bath rim or tile edge installation - Chrome**

LULU



**Flow rate chart**



**Codes & Standards**

ASME A112.18.1

cUPC

DIN 4109

EN 1717

ISO 3822

Ü-Zeichen



LULU Three-hole single-lever bath mixer for bath rim or tile edge installation -  
Chrome

---

LULU

27 412 710  
Certificates

---

IAPMO\_4976

Belgaqua\_24-008-2 LGA\_29

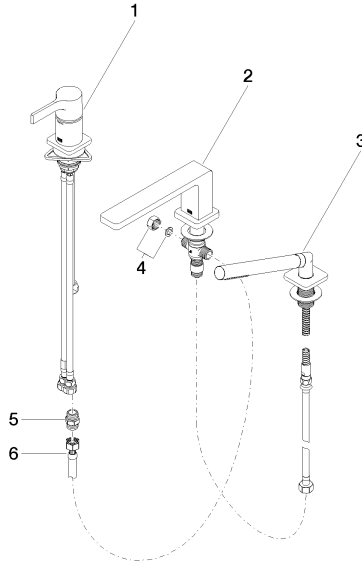
Belgaqua\_19\_80

LULU Three-hole single-lever bath mixer for bath rim or tile edge installation -  
Chrome

---

LULU

27 412 710





LULU Three-hole single-lever bath mixer for bath rim or tile edge installation - Chrome

LULU

27 412 710

**Spare parts list**

No.	Item Number	Name	Quantity used	Delivery time
	29 300 710-00	LULU Single-lever bath mixer for bath rim or tile edge installation - Chrome	6	-

Spare part can no longer be ordered, please order the replacement item