

MEM Three-hole single-lever bath mixer for bath rim or tile edge installation - Chrome

MEM

27 412 782



- 220mm projection
 - spout: rectangular normal flow
 - max. flow 20.4 l/min at 3 bar flow pressure
 - Hand shower: COMPACT RAIN, max. flow rate 6.8 l/min (at 3 bar)
 - complete hand shower set with anti-scale system
 - automatic bath/shower diverter
 - height of mixer 300 mm
 - height up to aerator 170 mm
 - hole diameter spout 32 mm
 - single-lever mixer hole diameter 35 mm
 - hole diameter for complete hand shower set 32 mm
 - rosette for mixer 60 x 60mm
 - rosette for spout 60 x 60mm
 - rosette for complete hand shower set 60 x 60mm
 - metal shower hose 2250mm with integrated anti-twist protection
- Intrinsic protection against back flow.

	Chrome	27 412 782-00
	Brushed Platinum	27 412 782-06
	Platinum	27 412 782-08
	Dark Chrome	27 412 782-19
	Brushed Durabronze (23kt Gold)	27 412 782-28
	Brushed Champagne (22kt Gold)	27 412 782-46
	Champagne (22kt Gold)	27 412 782-47
	Brushed Dark Platinum	27 412 782-99

Recommended miscellaneous



Perfecto installation kit - 12 614 970 90

Recommended miscellaneous



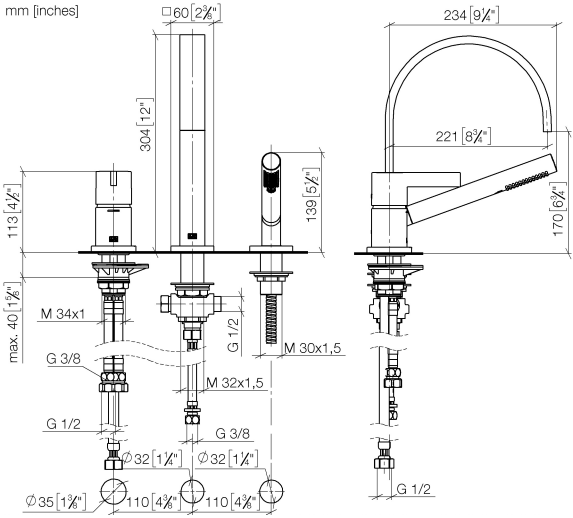
Decorative caps for Perfecto - Chrome 12 801 970-00
● 1 pair

MEM Three-hole single-lever bath mixer for bath rim or tile edge installation - Chrome

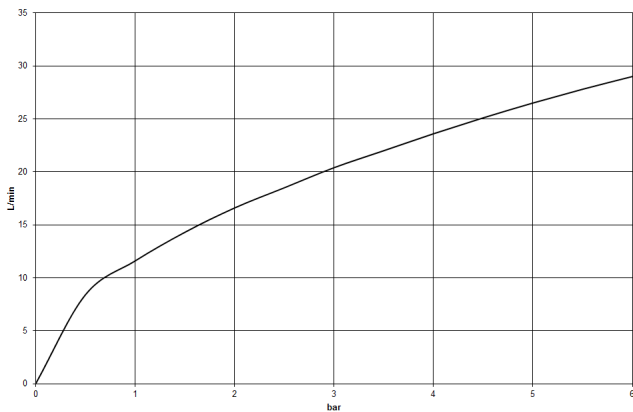
MEM

27 412 782

mm [inches]



Flow rate chart



Codes & Standards

ASME A112.18.1

cUPC

DIN 4109

EN 1717

ISO 3822

Ü-Zeichen



MEM Three-hole single-lever bath mixer for bath rim or tile edge installation -
Chrome

MEM

27 412 782

Certificates

IAPMO_4976

Belgaqua_24-008-2

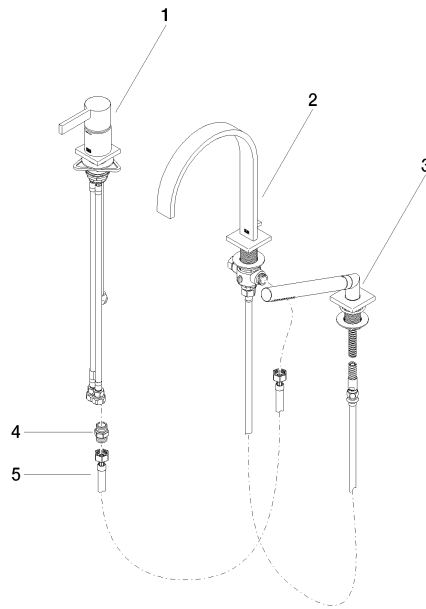
Belgaqua_19_80

LGA_29

MEM Three-hole single-lever bath mixer for bath rim or tile edge installation -
Chrome

MEM

27 412 782





MEM Three-hole single-lever bath mixer for bath rim or tile edge installation -
Chrome

MEM

27 412 782

Spare parts list

No.	Item Number	Name	Quantity used	Delivery time
	29 300 670-00	Single-lever bath mixer for bath rim or tile edge installation - Chrome	5	10