

**MEM Three-hole single-lever bath mixer for bath rim or tile edge installation -  
Platinum**

MEM

27 412 782



- 220mm projection
  - spout: rectangular normal flow
  - max. flow 20.4 l/min at 3 bar flow pressure
  - Hand shower: COMPACT RAIN, max. flow rate 6.8 l/min (at 3 bar)
  - complete hand shower set with anti-scale system
  - automatic bath/shower diverter
  - height of mixer 300 mm
  - height up to aerator 170 mm
  - hole diameter spout 32 mm
  - single-lever mixer hole diameter 35 mm
  - hole diameter for complete hand shower set 32 mm
  - rosette for mixer 60 x 60mm
  - rosette for spout 60 x 60mm
  - rosette for complete hand shower set 60 x 60mm
  - metal shower hose 2250mm with integrated anti-twist protection
- Intrinsic protection against back flow.

	Platinum	27 412 782-08
	Chrome	27 412 782-00
	Brushed Platinum	27 412 782-06
	Dark Chrome	27 412 782-19
	Brushed Durabronz (23kt Gold)	27 412 782-28
	Brushed Champagne (22kt Gold)	27 412 782-46
	Champagne (22kt Gold)	27 412 782-47
	Brushed Dark Platinum	27 412 782-99

**Recommended miscellaneous**



**Perfecto installation kit -** 12 614 970 90

**Recommended miscellaneous**

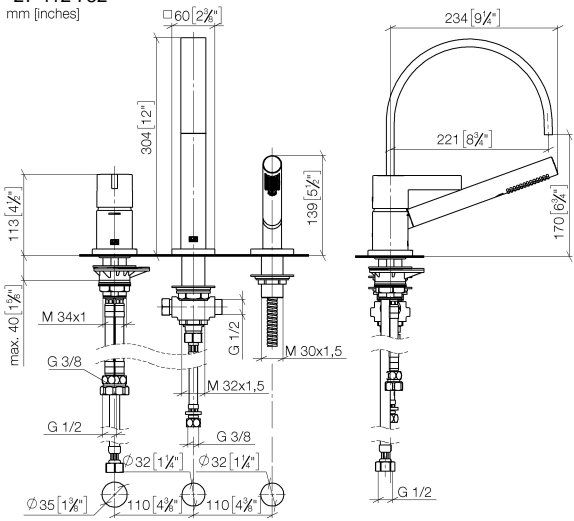


**Decorative caps for Perfecto -  
Platinum** 12 801 970-08  
● 1 pair

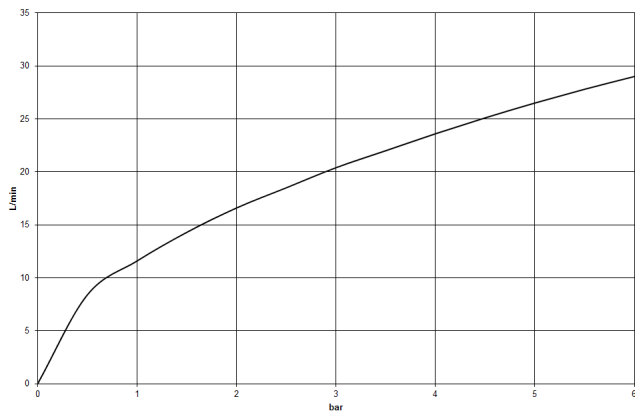
**MEM Three-hole single-lever bath mixer for bath rim or tile edge installation - Platinum**

MEM

27 412 782  
mm [inches]



**Flow rate chart**



**Codes & Standards**

ASME A112.18.1

cUPC

DIN 4109

EN 1717

ISO 3822

Ü-Zeichen



MEM Three-hole single-lever bath mixer for bath rim or tile edge installation -  
Platinum

---

MEM

27 412 782

Certificates

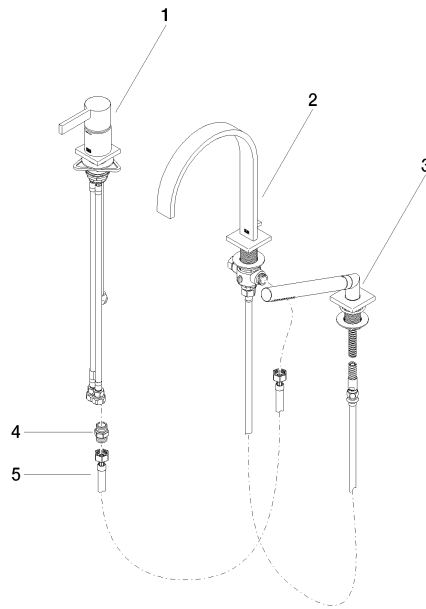
---

Belgaqua\_24-008-2 IAPMO\_4976

Belgaqua\_19\_80

LGA\_29

27 412 782





MEM Three-hole single-lever bath mixer for bath rim or tile edge installation -  
Platinum

MEM

27 412 782

**Spare parts list**

No.	Item Number	Name	Quantity used	Delivery time
	29 300 670-08	Single-lever bath mixer for bath rim or tile edge installation - Platinum	5	40