

**MEM Three-hole single-lever bath mixer for bath rim or tile edge installation -
Dark Chrome**

MEM

27 412 782



- 220mm projection
 - spout: rectangular normal flow
 - max. flow 20.4 l/min at 3 bar flow pressure
 - Hand shower: COMPACT RAIN, max. flow rate 6.8 l/min (at 3 bar)
 - complete hand shower set with anti-scale system
 - automatic bath/shower diverter
 - height of mixer 300 mm
 - height up to aerator 170 mm
 - hole diameter spout 32 mm
 - single-lever mixer hole diameter 35 mm
 - hole diameter for complete hand shower set 32 mm
 - rosette for mixer 60 x 60mm
 - rosette for spout 60 x 60mm
 - rosette for complete hand shower set 60 x 60mm
 - metal shower hose 2250mm with integrated anti-twist protection
- Intrinsic protection against back flow.

	Dark Chrome	27 412 782-19
	Chrome	27 412 782-00
	Brushed Platinum	27 412 782-06
	Platinum	27 412 782-08
	Brushed Durabronz (23kt Gold)	27 412 782-28
	Brushed Champagne (22kt Gold)	27 412 782-46
	Champagne (22kt Gold)	27 412 782-47
	Brushed Dark Platinum	27 412 782-99

Recommended miscellaneous



Perfecto installation kit - 12 614 970 90

Recommended miscellaneous



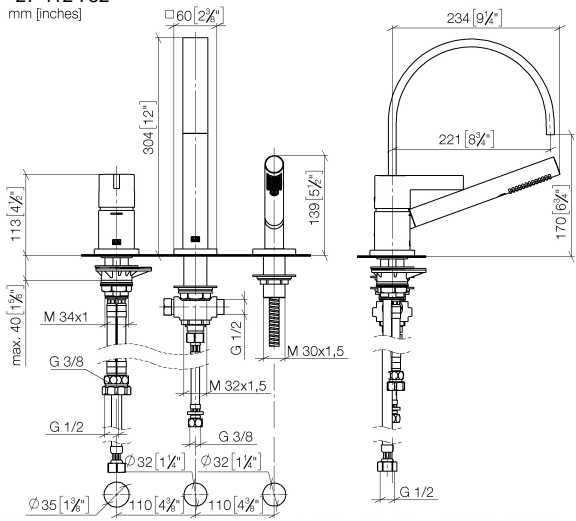
Decorative caps for Perfecto - Dark Chrome 12 801 970-19
● 1 pair

**MEM Three-hole single-lever bath mixer for bath rim or tile edge installation -
Dark Chrome**

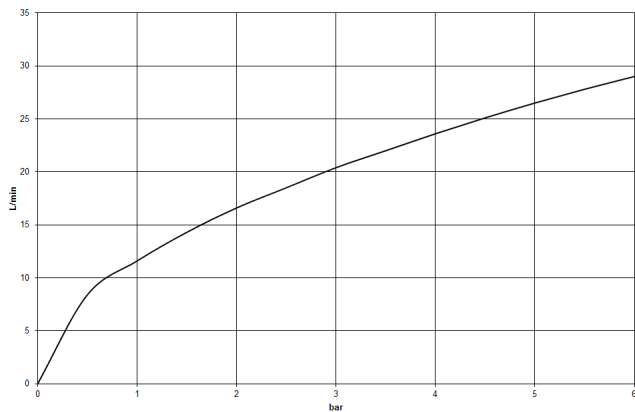
MEM

27 412 782

mm [inches]



Flow rate chart



Codes & Standards

EN 1717



MEM Three-hole single-lever bath mixer for bath rim or tile edge installation -
Dark Chrome

MEM

27 412 782

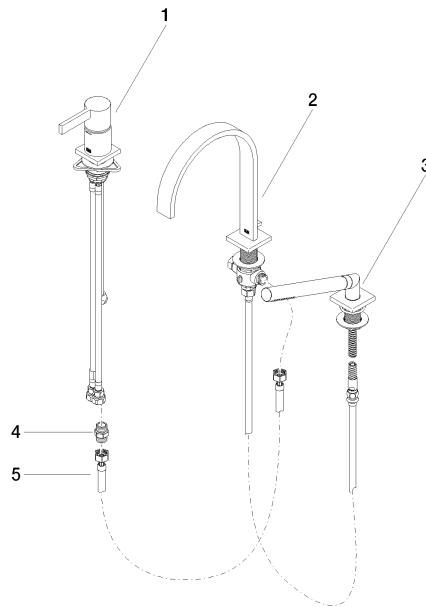
Certificates

Belgaqua_24-008-2

MEM Three-hole single-lever bath mixer for bath rim or tile edge installation -
Dark Chrome

MEM

27 412 782





MEM Three-hole single-lever bath mixer for bath rim or tile edge installation -
Dark Chrome

MEM

27 412 782

Spare parts list