



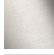




**LISSÉ Three-hole single-lever bath mixer for bath rim or tile edge installation -
Dark Chrome**

27 412 845 Product version from 4/1/2024



- spout: circular, air-enriched flow
- max. flow 16.9 l/min at 3 bar flow pressure
- Hand shower: COMPACT RAIN, max. flow rate 6.8 l/min (at 3 bar)
- complete hand shower set with anti-scale system
- 200mm projection
- automatic bath/shower diverter
- height of mixer 141 mm
- height up to aerator 88 mm
- hole diameter spout 32 mm
- hole diameter single-lever mixer 35 mm
- hole diameter for complete hand shower set 32 mm
- rosette for complete hand shower set Ø 50mm
- metal shower hose 1750mm with integrated anti-twist protection

Intrinsic protection against back flow.

| | | |
|---|-----------------------|---------------|
|  | Dark Chrome | 27 412 845-19 |
|  | Chrome | 27 412 845-00 |
|  | Brushed Platinum | 27 412 845-06 |
|  | Brushed Light Gold | 27 412 845-27 |
|  | Matte Black | 27 412 845-33 |
|  | Brushed Chrome | 27 412 845-93 |
|  | Brushed Dark Platinum | 27 412 845-99 |

Recommended miscellaneous



Perfecto installation kit - 12 614 970 90

Recommended miscellaneous

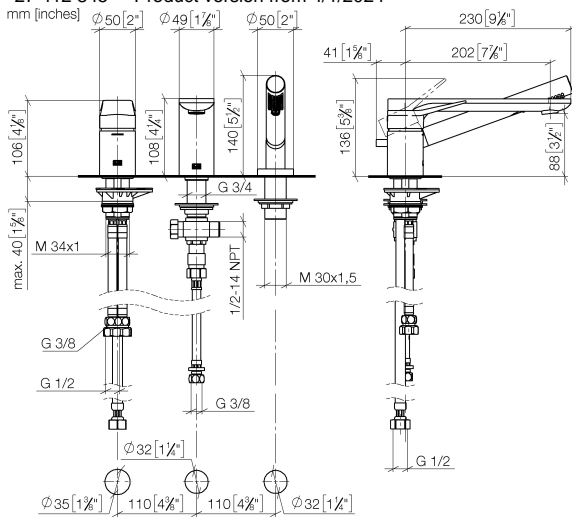


**Decorative caps for Perfecto -
Dark Chrome** 12 801 970-19
• 1 pair

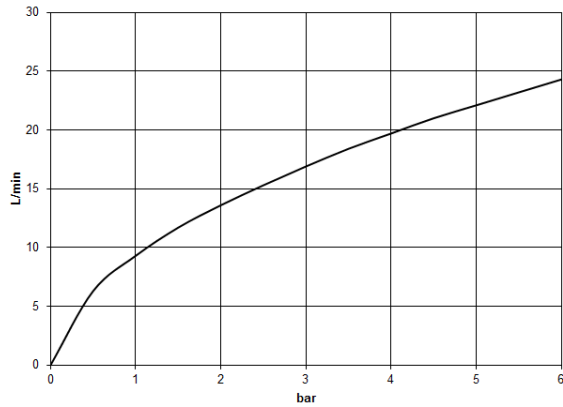


LISSÉ Three-hole single-lever bath mixer for bath rim or tile edge installation - Dark Chrome

27 412 845 Product version from 4/1/2024



Flow rate chart



Codes & Standards

ASME A112.18.1

cUPC

EN 1717



LISSÉ Three-hole single-lever bath mixer for bath rim or tile edge installation - Dark Chrome

27 412 845 Product version from 4/1/2024

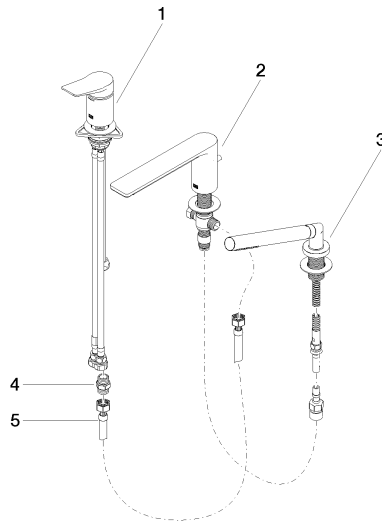
Certificates

IAPMO_4976

Belgaqua_24-008-2

**LISSÉ Three-hole single-lever bath mixer for bath rim or tile edge installation -
Dark Chrome**

27 412 845 Product version from 4/1/2024



Spare parts list

| No. | Item Number | Name | Quantity used | Delivery time |
|--|--------------------|---|---------------|---------------|
| 1 | 29 300 845-19 | connection | 1 | - |
| Spare part can no longer be ordered, please order the replacement item | | | | |
| 2 | 13 512 845-19 | spout | 1 | - |
| Spare part can no longer be ordered, please order the replacement item | | | | |
| 3 | 27 702 979-19 | Hand shower set for bath rim or tile edge installation - Dark Chrome | 1 | 20 |
| 4 | 90 24 03 168 00 90 | nipple | 1 | 2 |
| 5 | 12 502 970 90 | High pressure hose 1/2" x 1/2" x 400 mm - | 1 | 2 |