

**MEM Bath shower set for bath rim or tile edge installation - Champagne (22kt Gold)**

MEM

27 532 782



- 220mm projection
- spout: rectangular normal flow
- max. flow 27.3 l/min at 3 bar flow pressure
- Hand shower: COMPACT RAIN, max. flow rate 6.8 l/min (at 3 bar)
- complete hand shower set with anti-scale system
- automatic bath/shower diverter
- height of mixer 300 mm
- height up to aerator 170 mm
- hole diameter valve 32 mm
- hole diameter spout 32 mm
- hole diameter for complete hand shower set 32 mm
- rosette for spout 60 x 60mm
- rosette for complete hand shower set 60 x 60mm
- rosette for deck valve 60 x 60mm
- metal shower hose 1750mm with integrated anti-twist protection
- WRAS 2306058

Intrinsic protection against back flow.

	Champagne (22kt Gold)	27 532 782-47
	Chrome	27 532 782-00
	Brushed Platinum	27 532 782-06
	Platinum	27 532 782-08
	Dark Chrome	27 532 782-19
	Brushed Durabronze (23kt Gold)	27 532 782-28
	Brushed Champagne (22kt Gold)	27 532 782-46
	Brushed Dark Platinum	27 532 782-99

**Recommended miscellaneous**



**Perfecto installation kit -** 12 614 970 90

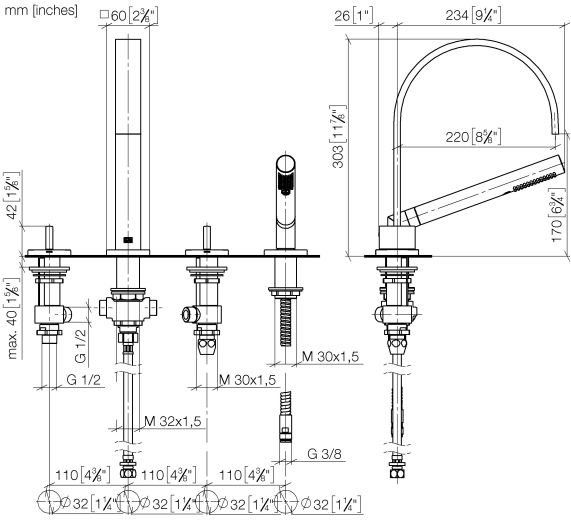
**Recommended miscellaneous**



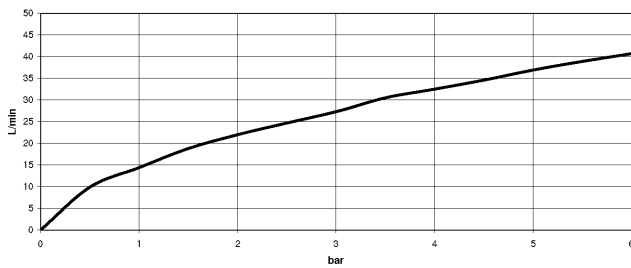
**Decorative caps for Perfecto - Champagne (22kt Gold)** 12 801 970-47  
● 1 pair

27 532 782

mm [inches]



## Flow rate chart



## Codes & Standards

Scottish Water  
Byelaws

UK Water Supply  
Regulations



MEM Bath shower set for bath rim or tile edge installation - Champagne (22kt Gold)

---

MEM

27 532 782

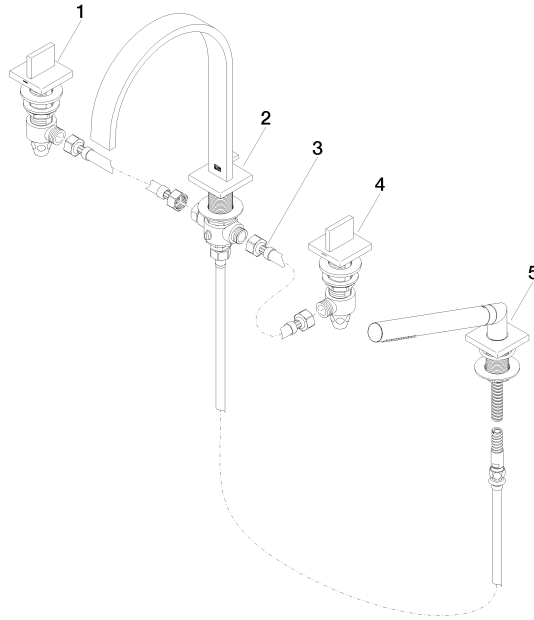
Certificates

---

WRAS\_2306

27 532 782

Product version from 3/10/2014





MEM Bath shower set for bath rim or tile edge installation - Champagne (22kt Gold)

MEM

27 532 782

**Spare parts list**

**Product version from 3/10/2014**

No.	Item Number	Name	Quantity used	Delivery time
	20 000 783-47	MEM Deck valve anti-clockwise closing hot - Champagne (22kt Gold)	5	30