






27 632 811



- 167mm projection
- spout: rectangular normal flow
- max. flow 23.8 l/min at 3 bar flow pressure
- Hand shower: COMPACT RAIN, max. flow rate 6.8 l/min (at 3 bar)
- complete hand shower set with anti-scale system
- automatic bath/shower diverter
- height of mixer 198 mm
- height up to aerator 133 mm
- hole diameter spout 28 mm
- hole diameter for complete hand shower set 32 mm
- rosette for mixer 60 x 60mm
- rosette for complete hand shower set 60 x 60mm
- metal shower hose 1750mm with integrated anti-twist protection
- WRAS 2204006

Intrinsic protection against back flow.

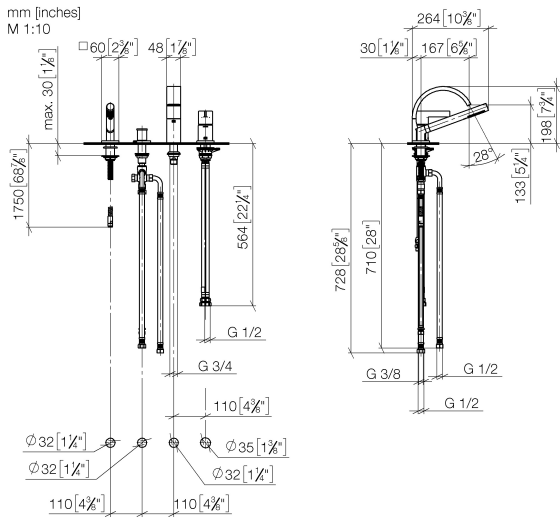
	Chrome	27 632 811-00
	Brushed Platinum	27 632 811-06
	Dark Chrome	27 632 811-19
	Brushed Durabronze (23kt Gold)	27 632 811-28
	Brushed Dark Platinum	27 632 811-99

Recommended miscellaneous

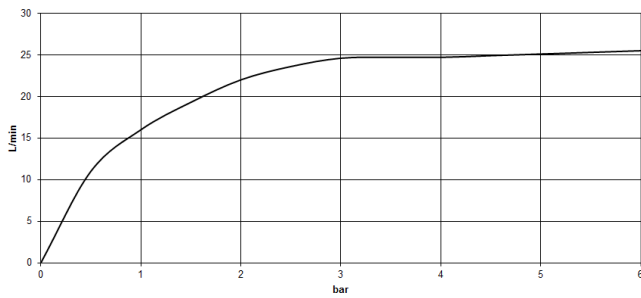


Perfecto installation kit - 12 614 970 90

27 632 811



Flow rate chart



Codes & Standards

ASME A112.18.1

cUPC

DIN 4109

EN 1717

ISO 3822

Scottish Water
Byelaws

UK Water Supply
Regulations

Ü-Zeichen



CYO Bath shower set for bath rim or tile edge installation - Chrome

CYO

27 632 811

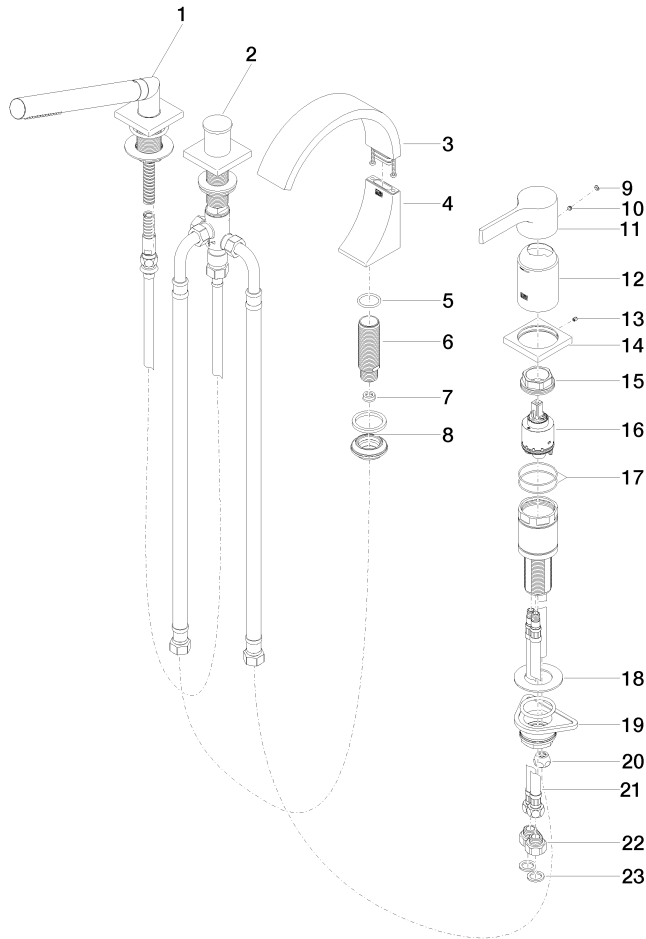
Certificates

LGA_38

IAPMO_4976

Belgaqua_21-380-2 WRAS_2204

27 632 811





CYO Bath shower set for bath rim or tile edge installation - Chrome

CYO

27 632 811

Spare parts list

No.	Item Number	Name	Quantity used	Delivery time
	27 702 980-00	Hand shower set for bath rim or tile edge installation - Chrome	27	10