

27 701 670 Product version from 4/1/2024



Fits: IMO, LULU, MADISON, MEM, TARA, CL.1, LISSÉ, VAIA

- wall bracket with integrated safety shut off valve
- max. standing pressure: 5bar
- hand shower with back flow preventer
- 1/2" shower outlet
- rosette Ø 60 mm
- metal shower hose 1250mm with integrated anti-twist protection

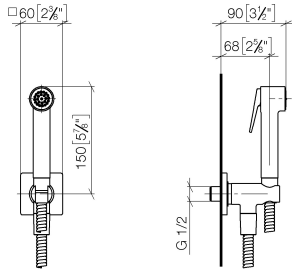
This product does not provide intrinsic protection against backflow in accordance with DIN EN 1717. This product must not be installed and operated in countries where compliance with DIN EN 1717 is stipulated.

The bidet shower must be operated with an upstream main fitting.

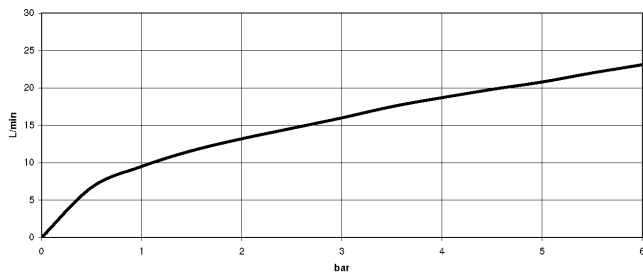
| | | |
|---|-------------------------------|---------------|
|  | Brushed Champagne (22kt Gold) | 27 701 670-46 |
|  | Chrome | 27 701 670-00 |
|  | Brushed Platinum | 27 701 670-06 |
|  | Platinum | 27 701 670-08 |
|  | Dark Chrome | 27 701 670-19 |
|  | Brushed Light Gold | 27 701 670-27 |
|  | Brushed Durabrass (23kt Gold) | 27 701 670-28 |
|  | Brushed Bronze | 27 701 670-42 |
|  | Champagne (22kt Gold) | 27 701 670-47 |
|  | Brushed Chrome | 27 701 670-93 |
|  | Brushed Dark Platinum | 27 701 670-99 |

27 701 670 Product version from 4/1/2024

mm [inches]

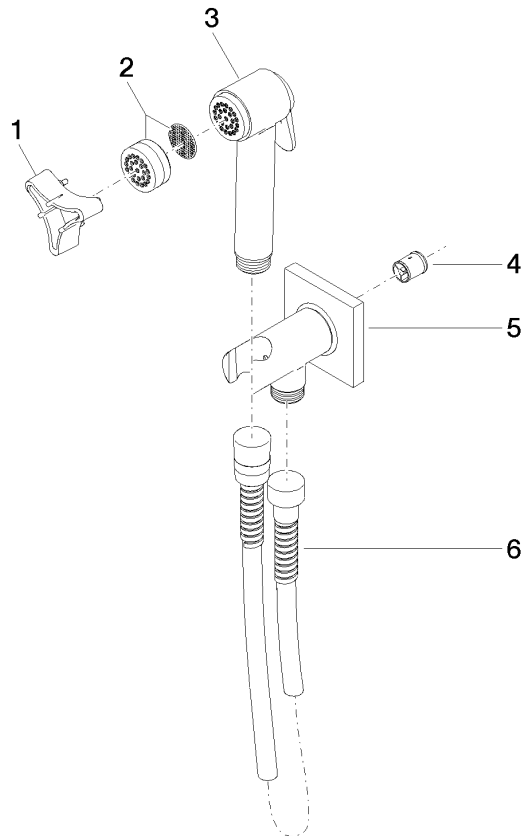


Flow rate chart



27 701 670 Product version from 4/1/2024

Parts for other finishes can be found here: [Chrome](#)



Spare parts list

| No. | Item Number | Name | Quantity used | Delivery time |
|--|--------------------|---------------------|---------------|---------------|
| 1 | 09 30 09 029 90 | key | 1 | 2 |
| 2 | 12 861 970-46 | accessories | 1 | - |
| Spare part can no longer be ordered, please order the replacement item | | | | |
| 3 | 90 12 11 107 00-46 | shower | 1 | 30 |
| 4 | 09 23 01 097 90 | back-flow preventer | 1 | 2 |
| 5 | 90 11 03 002 00-46 | connection | 1 | 30 |
| 6 | 90 30 02 001 00-46 | hose | 1 | 30 |