








MADISON Rain shower with wall fixing 200 mm - Durabronss (23kt Gold)

28 545 977 Product version from 12/5/2019



- 435mm projection
- rain shower Ø 200 mm
- PURE RAIN, max. flow rate 14 l/min (at 3 bar)
- Function from: 8 l/min
- rosette Ø 55 mm
- 1/2" connection
- with anti-scale system

| | | |
|---|--------------------------------|---------------|
|  | Durabronss (23kt Gold) | 28 545 977-09 |
|  | Chrome | 28 545 977-00 |
|  | Brushed Platinum | 28 545 977-06 |
|  | Platinum | 28 545 977-08 |
|  | Brushed Durabronss (23kt Gold) | 28 545 977-28 |
|  | Brushed Chrome | 28 545 977-93 |
|  | Brushed Dark Platinum | 28 545 977-99 |

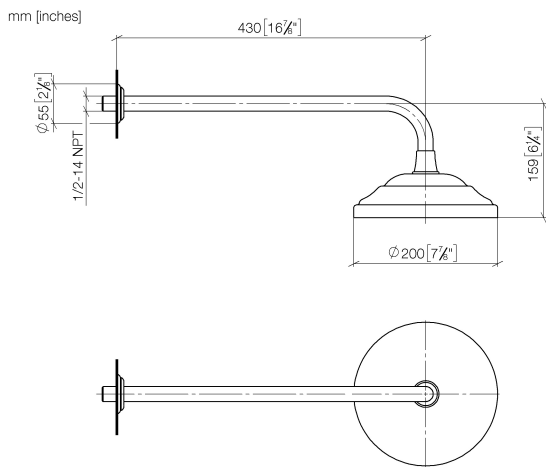
Recommended miscellaneous



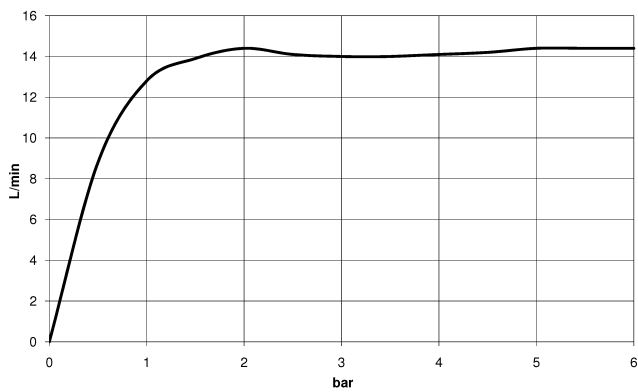
- Concealed wall elbow -** 35 085 970 90
- max. recess depth mm
 - min. recess depth mm

MADISON Rain shower with wall fixing 200 mm - Durabronz (23kt Gold)

28 545 977 Product version from 12/5/2019



Flow rate chart



Codes & Standards

DIN 4109

EN 1112

ISO 3822

Ü-Zeichen



MADISON Rain shower with wall fixing 200 mm - Durabronss (23kt Gold)

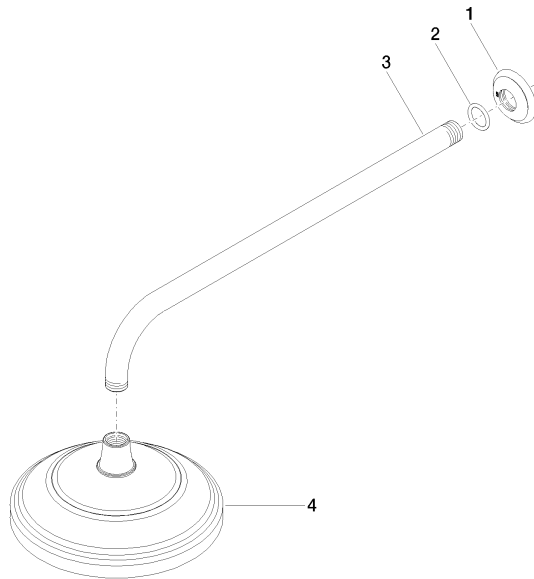
28 545 977 Product version from 12/5/2019

Certificates

DVGW_DW- LGA_38
6517DN0

MADISON Rain shower with wall fixing 200 mm - Durabronz (23kt Gold)

28 545 977 Product version from 12/5/2019



Spare parts list

| No. | Item Number | Name | Quantity used | Delivery time |
|-----|--------------------|------------|---------------|---------------|
| 1 | 09 27 35 003-09 | rosette | 1 | 40 |
| 2 | 90 14 10 026 00 90 | seal | 1 | 2 |
| 3 | 09 11 03 017-09 | connection | 1 | 40 |
| 4 | 04 12 05 038 01-09 | shower | 1 | 40 |