


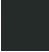



EDITION PRO Rain shower with wall fixing FlowReduce 220 mm - Chrome

28 648 626



- 450mm projection
- rain flow
- with anti-scale system
- rain shower Ø 220 mm
- rosette Ø 60 mm
- 1/2" connection
- max. flow 7 l/min
- quick clearing
- This product can help a building meet the requirements of Green Building Rating Systems, e.g. LEED®, BREEM®, DGNB

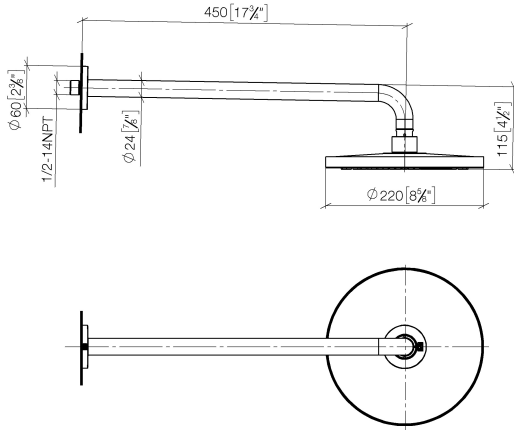
| | | |
|--|----------------|---------------|
|  | Chrome | 28 648 626-00 |
|  | Matte Black | 28 648 626-33 |
|  | Brushed Chrome | 28 648 626-93 |



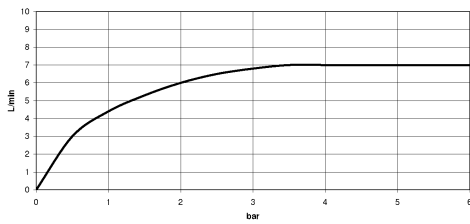
EDITION PRO Rain shower with wall fixing FlowReduce 220 mm - Chrome

28 648 626

mm [inches]



Flow rate chart



Codes & Standards

DIN 4109

ISO 3822

Ü-Zeichen



EDITION PRO Rain shower with wall fixing FlowReduce 220 mm - Chrome

28 648 626

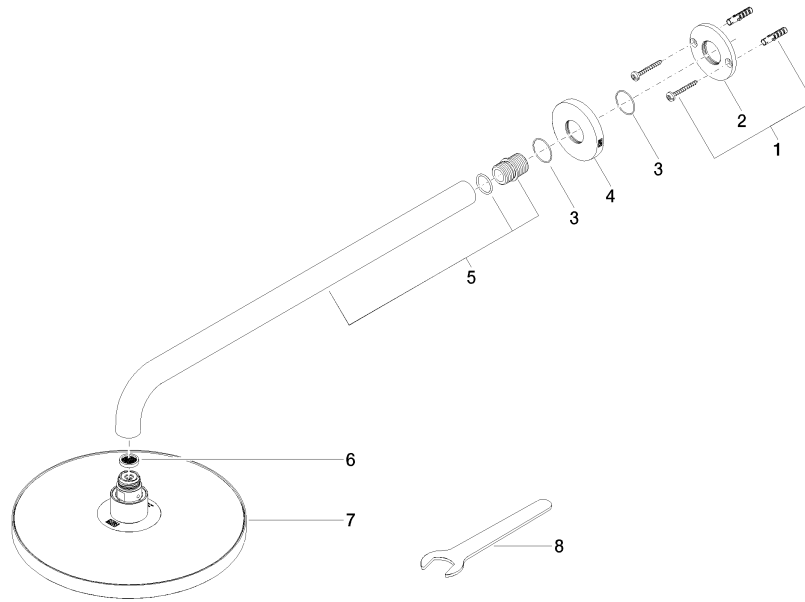
Certificates

LGA_38

EDITION PRO Rain shower with wall fixing FlowReduce 220 mm - Chrome

28 648 626

Parts for other finishes can be found here: [Matte Black](#)





EDITION PRO Rain shower with wall fixing FlowReduce 220 mm - Chrome

28 648 626

Spare parts list

| No. | Item Number | Name | Quantity used | Delivery time |
|-----|--------------------|------------|---------------|---------------|
| | 04 30 31 032 00 90 | fixing set | 9 | 2 |