

**Rain shower with wall fixing 220 mm - Chrome**

IMO

28 649 670



- 450mm projection
- rain shower Ø 220 mm
- PURE RAIN, max. flow rate 14 l/min (at 3 bar)
- Function from: 7 l/min
- rosette 65 x 65 mm
- 1/2" connection
- with anti-scale system
- quick clearing
- WRAS 2212012

Fits: IMO, CYO

	Chrome	28 649 670-00
	Brushed Platinum	28 649 670-06
	Platinum	28 649 670-08
	Dark Chrome	28 649 670-19
	Brushed Light Gold	28 649 670-27
	Brushed Durabross (23kt Gold)	28 649 670-28
	Matte Black	28 649 670-33
	Brushed Champagne (22kt Gold)	28 649 670-46
	Champagne (22kt Gold)	28 649 670-47
	Brushed Chrome	28 649 670-93
	Brushed Dark Platinum	28 649 670-99

**Recommended miscellaneous**



**Concealed wall elbow -**

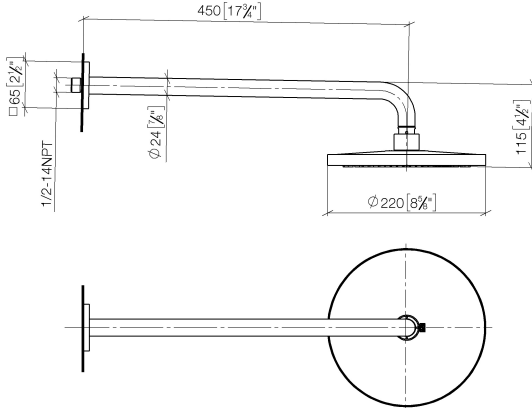
35 085 970 90

- max. recess depth 163 mm
- min. recess depth 90 mm

**Rain shower with wall fixing 220 mm - Chrome**

28 649 670

mm [inches]



**Flow rate chart**



**Codes & Standards**

DIN 4109

ISO 3822

Scottish Water  
Byelaws

UK Water Supply  
Regulations

**Ü-Zeichen**



Rain shower with wall fixing 220 mm - Chrome

IMO

28 649 670

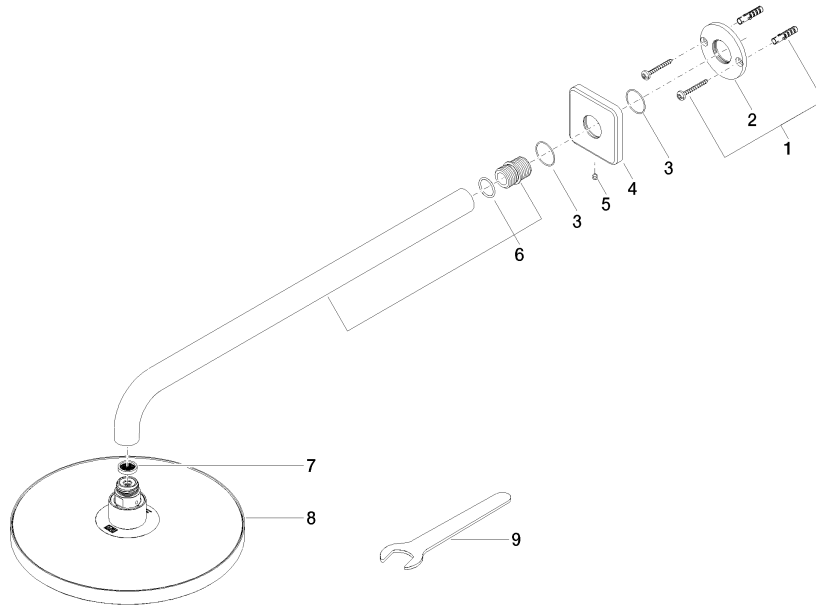
Certificates

LGA\_38

WRAS\_2212

28 649 670

Product version from 3/13/2017





## Rain shower with wall fixing 220 mm - Chrome

IMO

28 649 670

### Spare parts list

#### Product version from 3/13/2017

No.	Item Number	Name	Quantity used	Delivery time
	04 30 31 032 00 90	fixing set	10	2