

Rain shower with wall fixing 220 mm - Platinum

IMO

28 649 670



- 450mm projection
- rain shower Ø 220 mm
- PURE RAIN, max. flow rate 14 l/min (at 3 bar)
- Function from: 7 l/min
- rosette 65 x 65 mm
- 1/2" connection
- with anti-scale system
- quick clearing
- WRAS 2212012

Fits: IMO, CYO

| | | |
|--|-------------------------------------|---------------|
|  | Platinum | 28 649 670-08 |
|  | Chrome | 28 649 670-00 |
|  | Brushed Platinum | 28 649 670-06 |
|  | Dark Chrome | 28 649 670-19 |
|  | Brushed Light Gold | 28 649 670-27 |
|  | Brushed Durabronze (23kt Gold) | 28 649 670-28 |
|  | Matte Black | 28 649 670-33 |
|  | Brushed Champagne (22kt Gold) | 28 649 670-46 |
|  | Champagne (22kt Gold) | 28 649 670-47 |
|  | Brushed Chrome | 28 649 670-93 |
|  | Brushed Dark Platinum | 28 649 670-99 |

Recommended miscellaneous



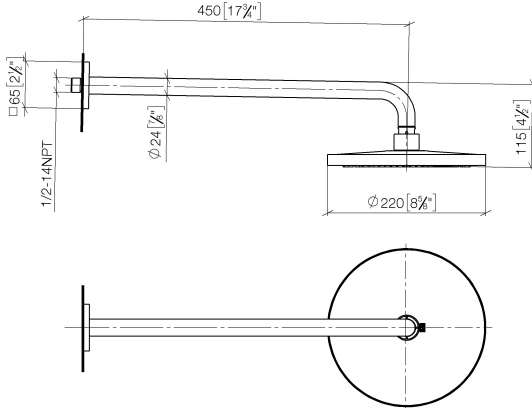
Concealed wall elbow -

35 085 970 90

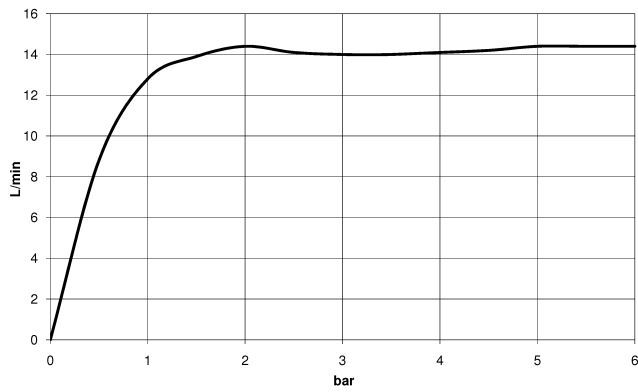
- max. recess depth 163 mm
- min. recess depth 90 mm

28 649 670

mm [inches]



Flow rate chart



Codes & Standards

DIN 4109

ISO 3822

Scottish Water
Byelaws

UK Water Supply
Regulations

Ü-Zeichen



Rain shower with wall fixing 220 mm - Platinum

IMO

28 649 670

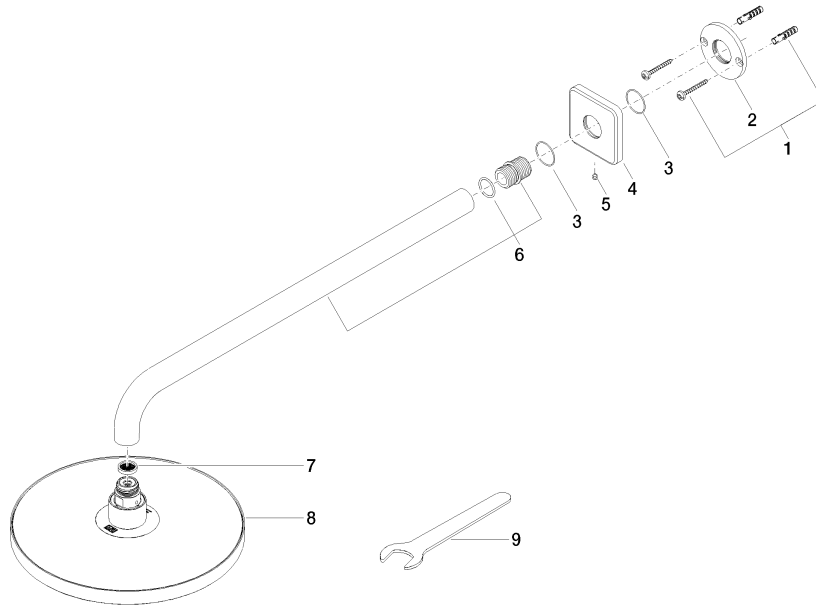
Certificates

LGA_38

WRAS_2212

28 649 670

Product version from 3/13/2017





Rain shower with wall fixing 220 mm - Platinum

IMO

28 649 670

Spare parts list

Product version from 3/13/2017

| No. | Item Number | Name | Quantity used | Delivery time |
|-----|--------------------|------------|---------------|---------------|
| | 04 30 31 032 00 90 | fixing set | 10 | 2 |