






Rain shower with wall fixing 400 mm - Platinum

28 659 970 Product version from 3/13/2017



- 450mm projection
- rain shower Ø 400 mm
- PURE RAIN, max. flow rate 20 l/min (at 3 bar)
- Function from: 12 l/min
- rosette Ø 60 mm
- 1/2" connection
- with anti-scale system
- WRAS

Product change as of 1st April 2024: max. flow 20l/min

	Platinum	28 659 970-08
	Chrome	28 659 970-00
	Brushed Platinum	28 659 970-06
	Dark Chrome	28 659 970-19
	Light Gold	28 659 970-26
	Brushed Light Gold	28 659 970-27
	Brushed Durabrass (23kt Gold)	28 659 970-28
	Matte Black	28 659 970-33
	Brushed Bronze	28 659 970-42
	Brushed Champagne (22kt Gold)	28 659 970-46
	Champagne (22kt Gold)	28 659 970-47
	Brushed Chrome	28 659 970-93
	Brushed Dark Platinum	28 659 970-99

Recommended miscellaneous



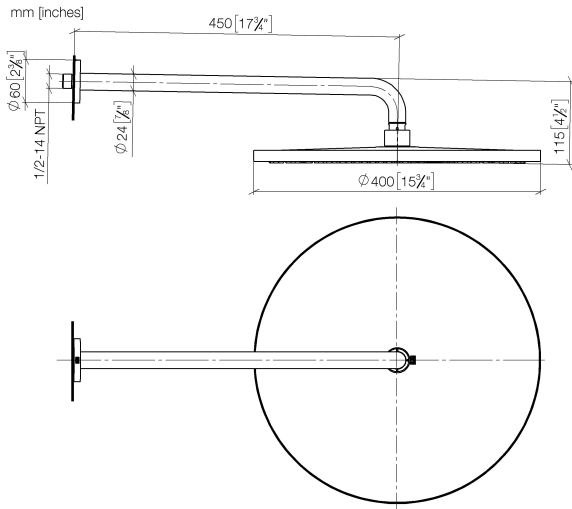
Concealed wall elbow -

35 085 970 90

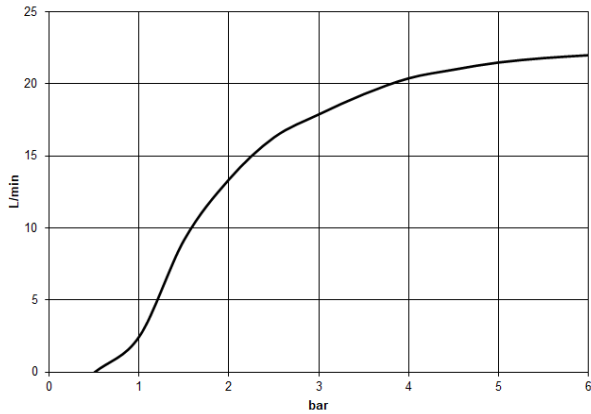
- max. recess depth mm
- min. recess depth mm

Rain shower with wall fixing 400 mm - Platinum

28 659 970 Product version from 3/13/2017



Flow rate chart



Codes & Standards

DIN 4109

EN 1112

ISO 3822

Scottish Water
Byelaws

UK Water Supply
Regulations

Ü-Zeichen



Rain shower with wall fixing 400 mm - Platinum

28 659 970 Product version from 3/13/2017

Certificates

LGA_29

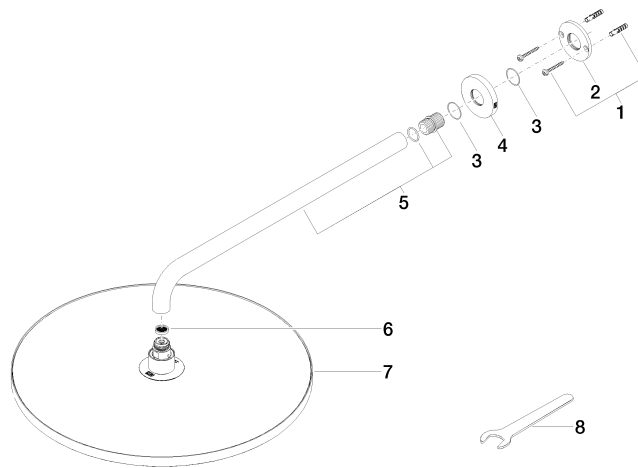
LGA_29

WRAS_2212

DVGW_DW-
6517DN0

Rain shower with wall fixing 400 mm - Platinum

28 659 970 Product version from 3/13/2017



Spare parts list

No.	Item Number	Name	Quantity used	Delivery time
1	04 30 31 032 00 90	fixing set	1	2
2	09 17 20 120 90	holder	1	2
3	09 14 10 150 90	seal	2	2
4	09 27 97 015-08	rosette	1	40
5	90 11 03 070 00-08	pipe	1	40
6	09 23 01 075 90	insert	1	2
7	90 12 05 090 00-08	shower	1	40
8	90 30 09 069 00 90	key	1	2