

30 010 809



- 151mm projection
- fixed spout
- adapter with male thread 3/4"
- hole diameter 35 mm
- rosette Ø 60 mm
- max. flow 5.7 l/min
- lead-free
- This product can help a building meet the requirements of Green Building Rating Systems, e.g. LEED®, BREEAM®, DGNB
- WRAS 240102003

	Brushed Bronze	30 010 809-42
	Chrome	30 010 809-00
	Brushed Platinum	30 010 809-06
	Platinum	30 010 809-08
	Dark Chrome	30 010 809-19
	Brushed Durabronze (23kt Gold)	30 010 809-28
	Brushed Champagne (22kt Gold)	30 010 809-46
	Champagne (22kt Gold)	30 010 809-47
	Brushed Dark Platinum	30 010 809-99

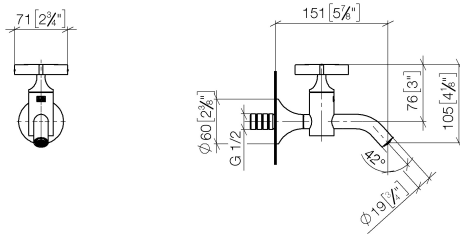
**Recommended miscellaneous**



- Concealed wall elbow -** 35 085 970 90
- min. recess depth 90 mm
  - max. recess depth 163 mm

30 010 809

mm [inches]



Flow rate chart



Codes & Standards

DIN 4109

ISO 3822

Scottish Water  
Byelaws

UK Water Supply  
Regulations

Ü-Zeichen



VAIA Wall-mounted valve cold water without pop-up waste - Brushed Bronze

---

VAIA

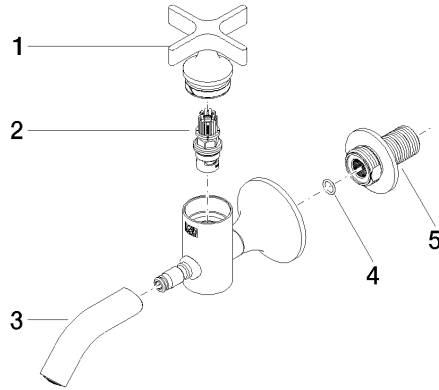
30 010 809

Certificates

---

WRAS\_240102

LGA\_18





VAIA Wall-mounted valve cold water without pop-up waste - Brushed Bronze

VAIA

30 010 809

**Spare parts list**

No.	Item Number	Name	Quantity used	Delivery time
	90 20 66 025 00-42	handle	5	30