

32 800 790



- 235mm projection
- pivotable spout 360°
- spout, end-piece with 20° rotation
- air-enriched flow
- height of mixer 337 mm
- height up to aerator 297 mm
- individual rosettes Ø 55mm
- hole diameter spout 35 mm
- single-lever mixer hole diameter 35 mm
- max. flow 8 l/min at 3 bar flow pressure
- lead-free
- This product can help a building meet the requirements of Green Building Rating Systems, e.g. LEED®, BREEAM®, DGNB
- WRAS 2107024

Operating unit can be positioned freely.

	Champagne (22kt Gold)	32 800 790-47
	Chrome	32 800 790-00
	Brushed Platinum	32 800 790-06
	Platinum	32 800 790-08
	Dark Chrome	32 800 790-19
	Brushed Durabronze (23kt Gold)	32 800 790-28
	Brushed Champagne (22kt Gold)	32 800 790-46
	Brushed Chrome	32 800 790-93
	Brushed Dark Platinum	32 800 790-99

**Recommended miscellaneous**

**Dispenser with rosette - Champagne (22kt Gold)**

82 444 970-47



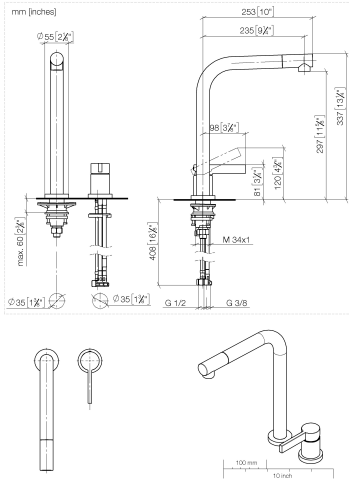
**Recommended miscellaneous**

**Strainer waste with control handle - Champagne (22kt Gold)**

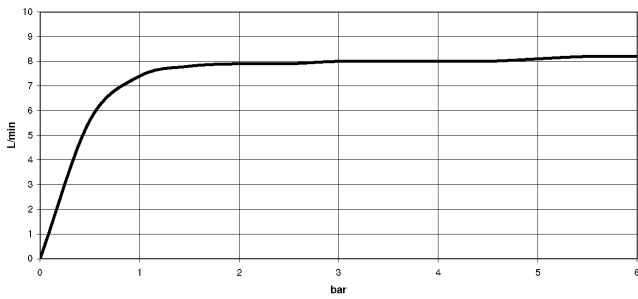
10 710 970-47



32 800 790



**Flow rate chart**



**Codes & Standards**

EN 817

VA-Zeichen



ELIO Two-hole mixer with individual rosettes - Champagne (22kt Gold)

---

ELIO

32 800 790

Certificates

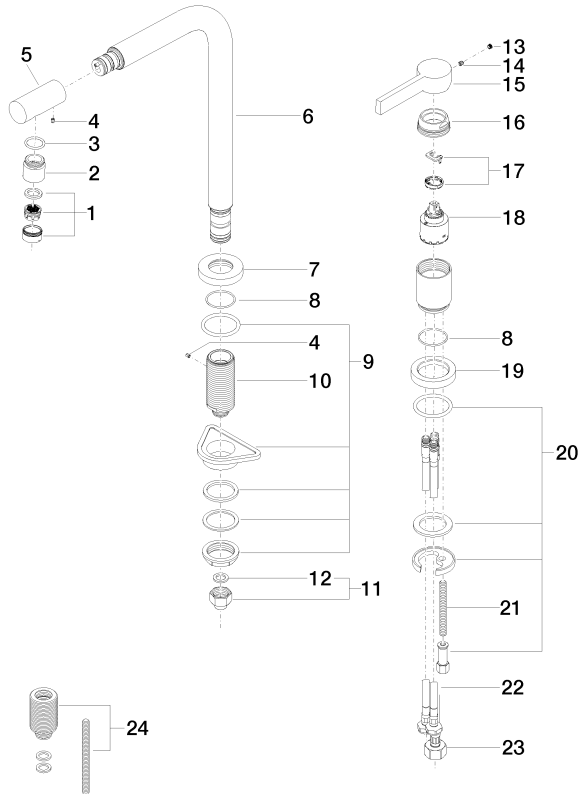
---

ETA\_18

32 800 790

**Product version from 6/1/2022**

Parts for other finishes can be found here: [Chrome](#)





## ELIO Two-hole mixer with individual rosettes - Champagne (22kt Gold)

---

ELIO

32 800 790

### **Spare parts list**

**Product version from 6/1/2022**